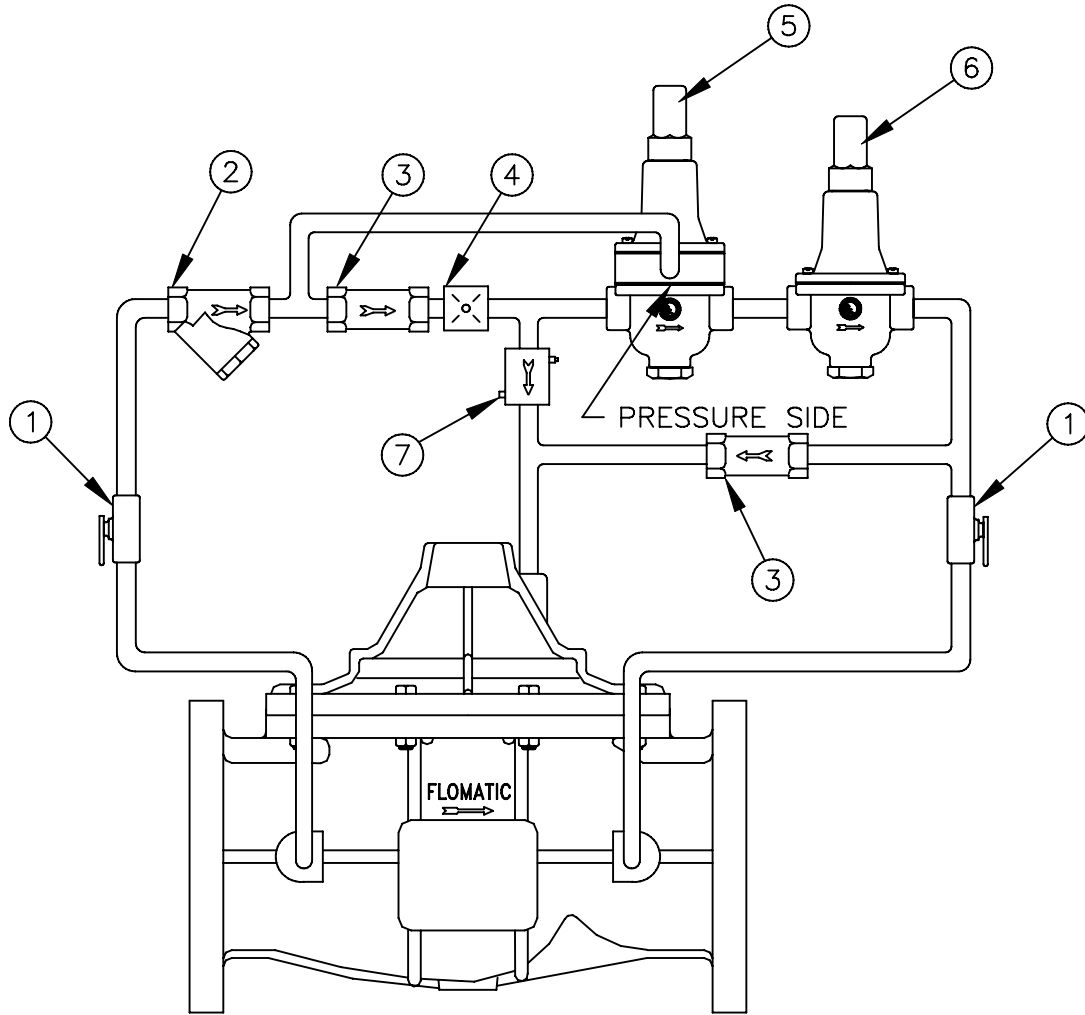


Materials



Item #	Qty	Description
1	2	Shut-Off Valve
2	1	Strainer
3	2	Check Valve
4	1	Orifice (or Needle Valve)
5	1	Back Pressure Pilot Valve
6	1	Pilot Valve
7	1	Flow Control

Danfoss Flomatic can accept no responsibility for possible errors in catalogues, brochures and other printed material. Danfoss Flomatic reserves the right to alter its products without notices. This also applies to product already agreed. All trademarks in this material are property of the respective companies. Danfoss and the logotype are trademarks of Danfoss A/S. All right reserved.