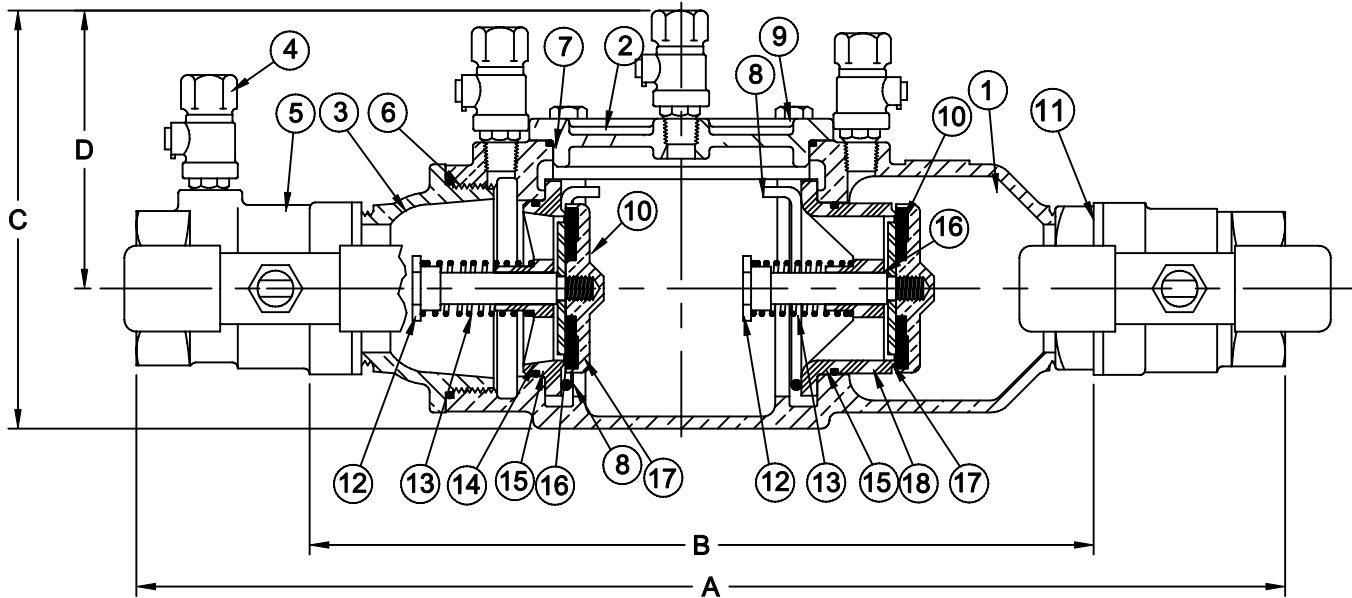


Backflow Preventer

Sizes 2" / 50 mm

Model DCVE **Danfoss**
Danfoss Flomatic

Materials



Item #	Qty	Description	Material	ASTM
1	1	Body	Unleaded Bronze	C89833
2	1	Cover	Unleaded Bronze	C89833
3	1	Tailpiece	Unleaded Bronze	C89833
4	4	Testcock	Unleaded Bronze	C90500
5	1	Ball Valve w/ Test Boss	Unleaded Bronze	C90500
6	1	Tailpiece O'Ring	Buna-n	-----
7	1	Cover O'Ring	Buna-n	-----
8	2	CV Spring Clip	Stainless Steel	302
9	4	Cap Screw	Stainless Steel	18-8
10	2	CV Disc Holder	Bronze	B140
11	1	Ball Valve	Unleaded Bronze	C90500
12	2	CV Stem	Bronze	B140
13	2	CV Spring	Stainless Steel	302
14	1	1st CV Seat Ring	Noryl GFN2-780S	-----
15	2	CV O'Ring	Buna-n	-----
16	2	CV Disc Retainer	Stainless Steel	304
17	2	CV Disc	Silicone Rubber	-----
18	1	2nd CV Seat Ring	Noryl GFN2-780S	-----

CV = Check Valve

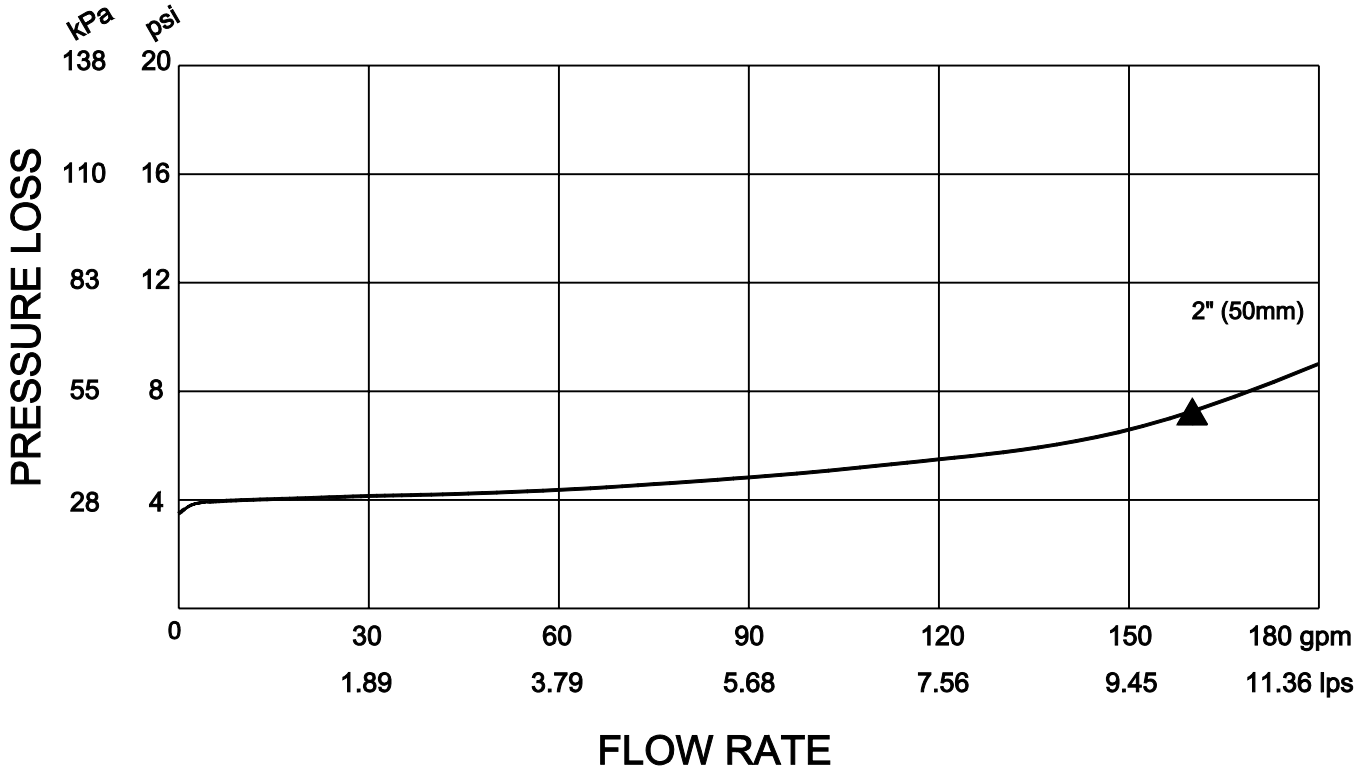
Also available with BSPP & JIS threads less ball valves

Danfoss Flomatic can accept no responsibility for possible errors in catalogues, brochures and other printed material. Danfoss Flomatic reserves the right to alter its products without notices. This also applies to product already agreed. All trademarks in this material are property of the respective companies. Danfoss and the logotype are trademarks of Danfoss A/S. All right reserved. ©2008 Danfoss Flomatic Corporation. The drawings & information on this drawing sheet are the sole & exclusive property of Danfoss Flomatic Corporation. Any reproduction, distribution, display or use

Backflow Preventer

Sizes 2" / 50 mm

FLOW CURVES w/ BALL VALVES



Water System Valves sold in California
61<5

The above marking certifies that this valve product has been tested by an ANSI, accredited certifying laboratory, in accordance to Standard 61 and has achieved a normalized concentration under static conditions, within the meaning of Standard 61, of five (5) or fewer parts per billion of lead.

Danfoss Flomatic Corporation
Glens Falls, NY
www.danfossflomatic.com

Max Temp 180°F (82°C)
Max Pressure 175psi (12bar)

	D		Width		Wgt less BV					
	Inch	mm	Inch	mm	lbs	kg				
20	12-1/2	6-1/2	4-3/8	111	4-3/4	121	28	12.75	17	7.75

Danfoss Flomatic can accept no responsibility for possible errors in catalogues, brochures and other printed material. Danfoss Flomatic reserves the right to alter its products without notices. This also applies to product already agreed. All trademarks in this material are property of the respective companies. Danfoss and the logotype are trademarks of Danfoss A/S. All right reserved. ©2008 Danfoss Flomatic Corporation. The drawings & information on this drawing sheet are the sole & exclusive property of Danfoss Flomatic Corporation. Any reproduction, distribution, display or use