

Control Valve

Model PRV

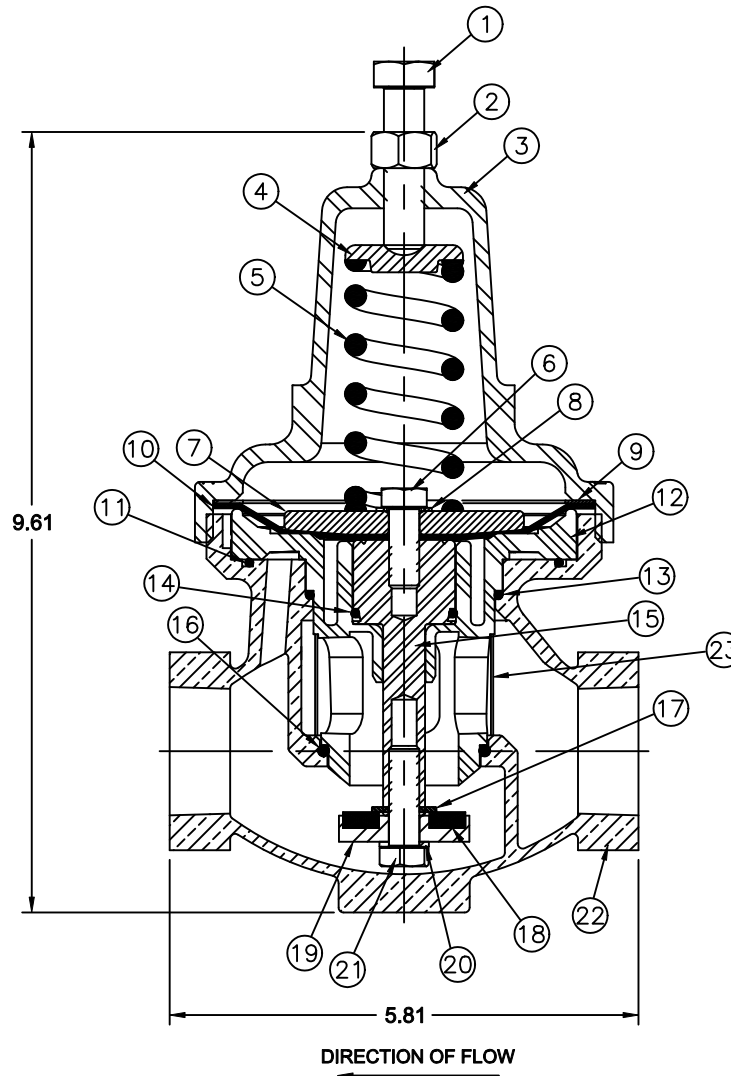


Flomatic Corporation

Sizes 1-1/4" / 32 mm

Direct Acting Pressure Reducing Valve (C150EHF)

Materials



Max Temp 180°F (82°C)
Max Pressure 400psi (28bar)
Weight 13.3 lbs (6.01 kg)

Item #	Qty	Description	Material	Item #	Qty	Description	Material
1	1	Adjusting Screw	Steel	13	1	O'Ring	Buna-n
2	1	Jam Nut	Steel	14	1	O'Ring	Buna-n
3	1	Cover	Bronze C83600	15	1	Stem	Stainless Steel 304
4	1	Spring Button	DI 65-45-12	16	1	O'Ring	Buna-n
5	1	Spring	Steel	17	1	Large Washer	Stainless Steel 18-8
6	1	HHCS	Stainless Steel 18-8	18	1	Disc	EPDM
7	1	Diaphragm Plate	DI 65-45-12	19	1	Disc Holder	Stainless Steel 304
8	1	Tooth Lock Washer	Stainless Steel 18-8	20	1	Plastic Washer	Delrin 500P
9	1	Friction Ring	Brass C36000	21	1	HHCS	Stainless Steel 18-8
10	1	Diaphragm	Nitrile/Nylon	22	1	Body	Bronze C89833
11	1	O'Ring	Buna-n	23	1	Screen	Stainless Steel 304
12	1	Cartridge	Delrin 500P				

Part Number C150002EHF 15-75 psi
Part Number C150102EHF 15-150 psi

Flomatic Corporation can accept no responsibility for possible errors in catalogues, brochures and other printed material. Flomatic Corporation reserves the right to alter its products without notices. This also applies to product already agreed. All trademarks in this material are property of the respective companies. All right reserved. ©2011 Flomatic Corporation. The drawings & information on this drawing sheet are the sole & exclusive property of Flomatic Corporation. Any reproduction, distribution, display or use of these drawings or information in whole or in part without written authorization of Flomatic Corporation is strictly prohibited.



July 19, 2007
Dwg No: SC150002EHF Rev: B (6/11)

FLOMATIC CORPORATION
GLENS FALLS, N.Y. 12801
PHONE (518) 761-9797
FAX (518) 761-9798