

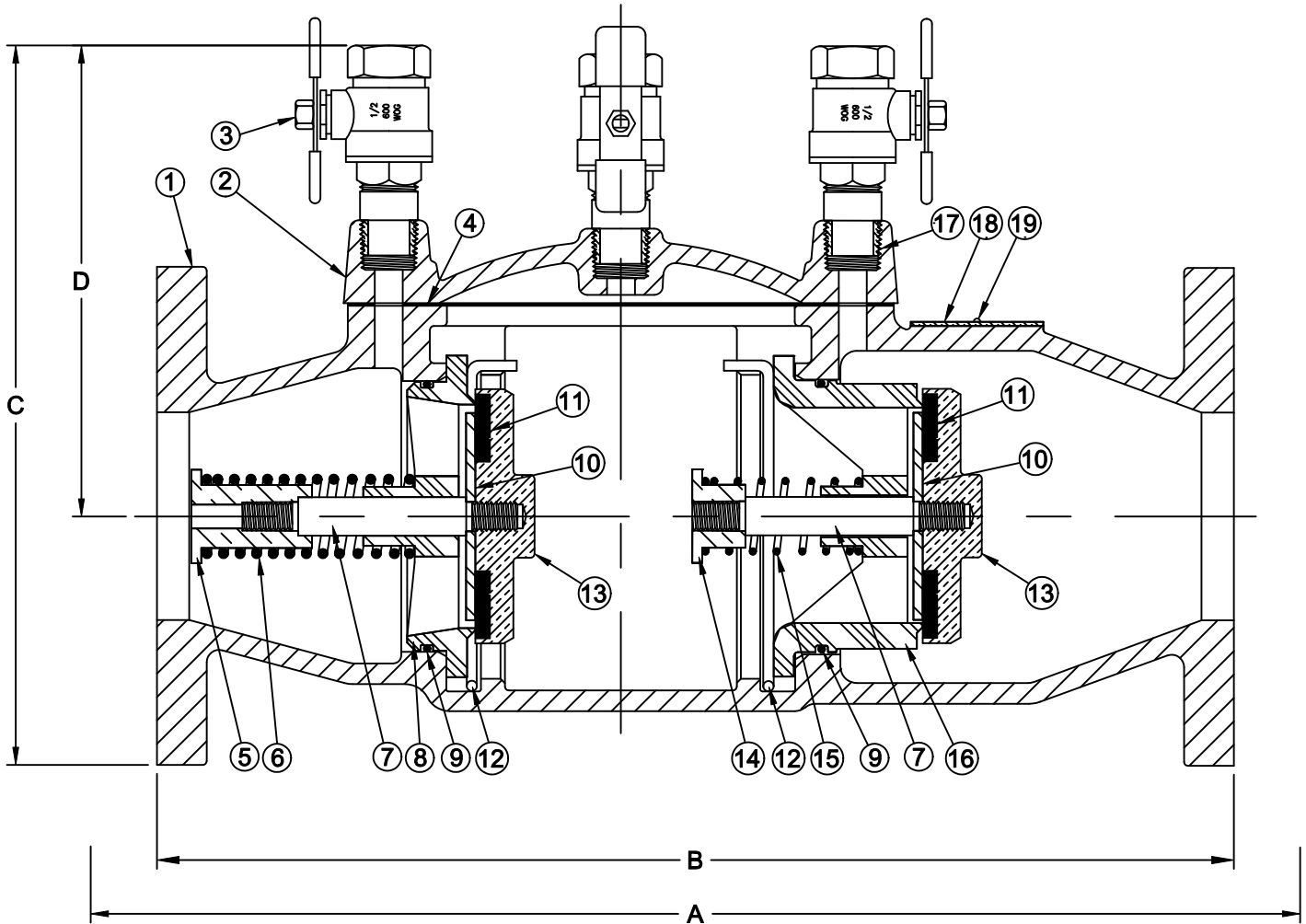
Backflow Preventer

Model DCV **FLOMATIC**[®]

Sizes 2-1/2" & 3" / 65 mm & 80 mm

Flomatic Corporation

Materials



NOTES: DIMENSION A INCLUDES AN AWWA C509 RESILENT WEDGE NRS OR OS&Y TYPE GATE VALVES
THE INTENDED OPERATING POSITION IS HORIZONTAL

Dimensions

Max Temp 140°F (60°C)
Max Pressure 175psi (12bar)

Size		Part #	A		B		C		D		Width		Wgt with GV		Wgt less GV	
inch	mm		inch	mm	inch	mm	inch	mm	inch	mm	inch	mm	lbs	kg	lbs	kg
2-1/2	65	B9105	31-1/4	794	16-1/4	413	14-7/8	378	11-3/8	289	7-3/4	197	154	70	50	22.75
3	80	B9106	32-1/4	819	16-1/4	413	16-1/8	410	12-3/8	314	10	254	176	80	50	22.75

Danfoss Flomatic can accept no responsibility for possible errors in catalogues, brochures and other printed material. Danfoss Flomatic reserves the right to alter its products without notices. This also applies to product already agreed. All trademarks in this material are property of the respective companies. All right reserved. ©2010 Danfoss Flomatic Corporation. The drawings & information on this drawing sheet are the sole & exclusive property of Danfoss Flomatic Corporation. Any reproduction, distribution, display or use of these drawings or information in whole or in part without written authorization of Danfoss Flomatic Corp is strictly prohibited.

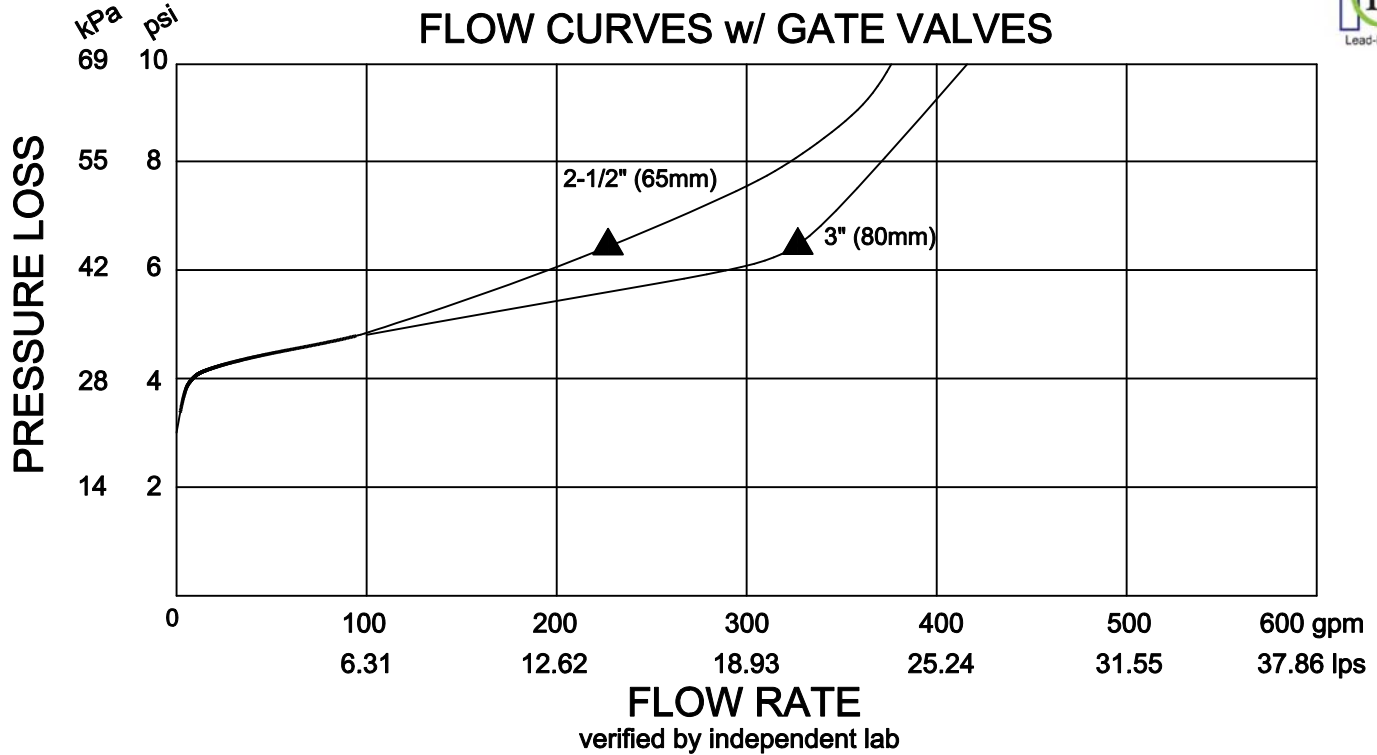
Backflow Preventer

Model DCV **FLOMATIC®**

Sizes 2-1/2" & 3" / 65 mm & 80 mm

Flomatic Corporation

Headloss



Materials

▲ = max rated flow

CV = Check Valve * = Items are Epoxy Coated
Items 20-26 are not shown on drawing

Item #	Qty	Description	Material	ASTM	Item #	Qty	Description	Material	ASTM
1	1	Body	Ductile Iron*	60-40-18	14	1	2nd CV Stem Retainer	Bronze	B140-83
2	1	Cover	Ductile Iron*	60-40-18	15	1	2nd CV Spring	Stainless Steel	302
3	4	Ball Valve	Unleaded Bronze	C90500	16	1	2nd CV Seat Ring	Noryl GFN2-780S	-----
4	1	Cover Gasket	Nitrile/Nylon	-----	17	3	Nipple	Red Brass	-----
5	1	1st CV Stem Retainer	Bronze	B140-83	18	1	ID Tag	Brass	-----
6	1	1st CV Spring	Stainless Steel	302	19	2	Grip Nail	Stainless Steel	304
7	2	CV Stem	Stainless Steel	304	20	2	NRS Gate Valve	Cast Iron*	-----
8	1	1st CV Seat Ring	Noryl GFN2-780S	-----	21	8	Bolt	Galvanized Steel	-----
9	2	CV O'Ring	Buna-n	-----	22	8	Nut	Galvanized Steel	-----
10	2	CV Disc Retainer	Stainless Steel	304	23	8	Bolt	Stainless Steel	18-8
11	2	CV Disc	Silicone Rubber	-----	24	2	Ring Gasket	Buna-n	-----
12	2	CV Spring Clip	Stainless Steel	302	25	1	Nipple	Red Brass	-----
13	2	CV Disc Holder	Unleaded Bronze	C89833	26	1	NPT Plug	Zinc Plated	-----

Danfoss Flomatic can accept no responsibility for possible errors in catalogues, brochures and other printed material. Danfoss Flomatic reserves the right to alter its products without notices. This also applies to product already agreed. All trademarks in this material are property of the respective companies. All right reserved. ©2010 Danfoss Flomatic Corporation. The drawings & information on this drawing sheet are the sole & exclusive property of Danfoss Flomatic Corporation. Any reproduction, distribution, display or use of these drawings or information in whole or in part without written authorization of Danfoss Flomatic Corp is strictly prohibited.