

# Backflow Preventer

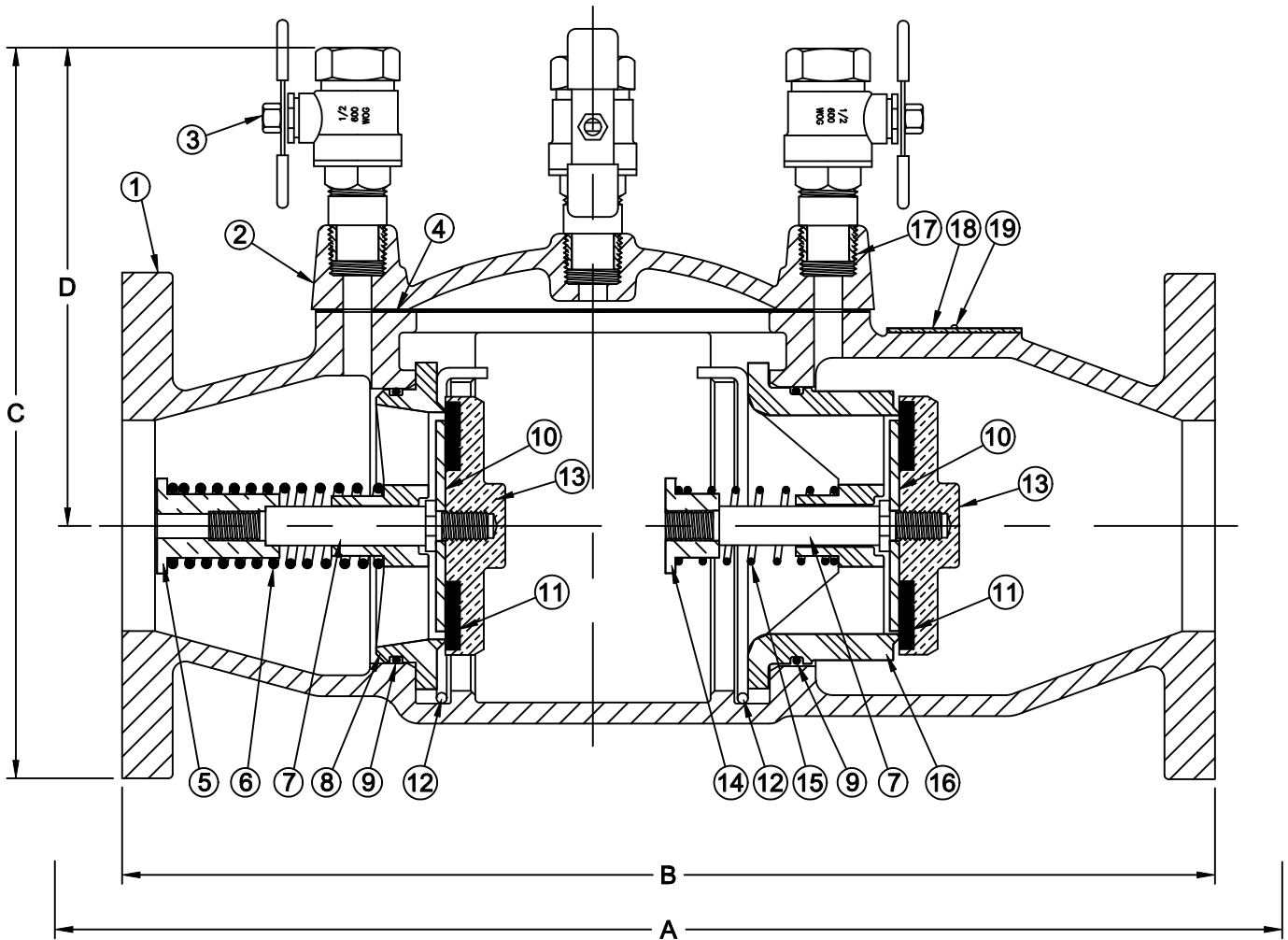
Sizes 6" & 8" / 150 mm & 200 mm

Model DCV



Flomatic Corporation

## Materials



NOTES: DIMENSION A INCLUDES AN AWWA C509 RESILENT WEDGE NRS OR OS&Y TYPE GATE VALVES  
THE INTENDED OPERATING POSITION IS HORIZONTAL

## Dimensions

Max Temp 140°F (60°C)  
Max Pressure 175psi (12bar)

Size		Part #	A		B		C		D		Width		Wgt with GV		Wgt less GV	
inch	mm		inch	mm	inch	mm	inch	mm	inch	mm	inch	mm	lbs	kg	lbs	kg
6	150	B9109	42	1067	21	533	24-1/2	622	19	483	12-1/8	308	447	202.75	147	66.75
8	200	B91010	50-1/2	1283	27-1/2	699	29-1/4	743	22-1/2	572	14-3/4	375	695	315.25	285	129.5

Danfoss Flomatic can accept no responsibility for possible errors in catalogues, brochures and other printed material. Danfoss Flomatic reserves the right to alter its products without notices. This also applies to product already agreed. All trademarks in this material are property of the respective companies. All right reserved. ©2010 Danfoss Flomatic Corporation. The drawings & information on this drawing sheet are the sole & exclusive property of Danfoss Flomatic Corporation. Any reproduction, distribution, display or use of these drawings or information in whole or in part without written authorization of Danfoss Flomatic Corp is strictly prohibited.



# Backflow Preventer

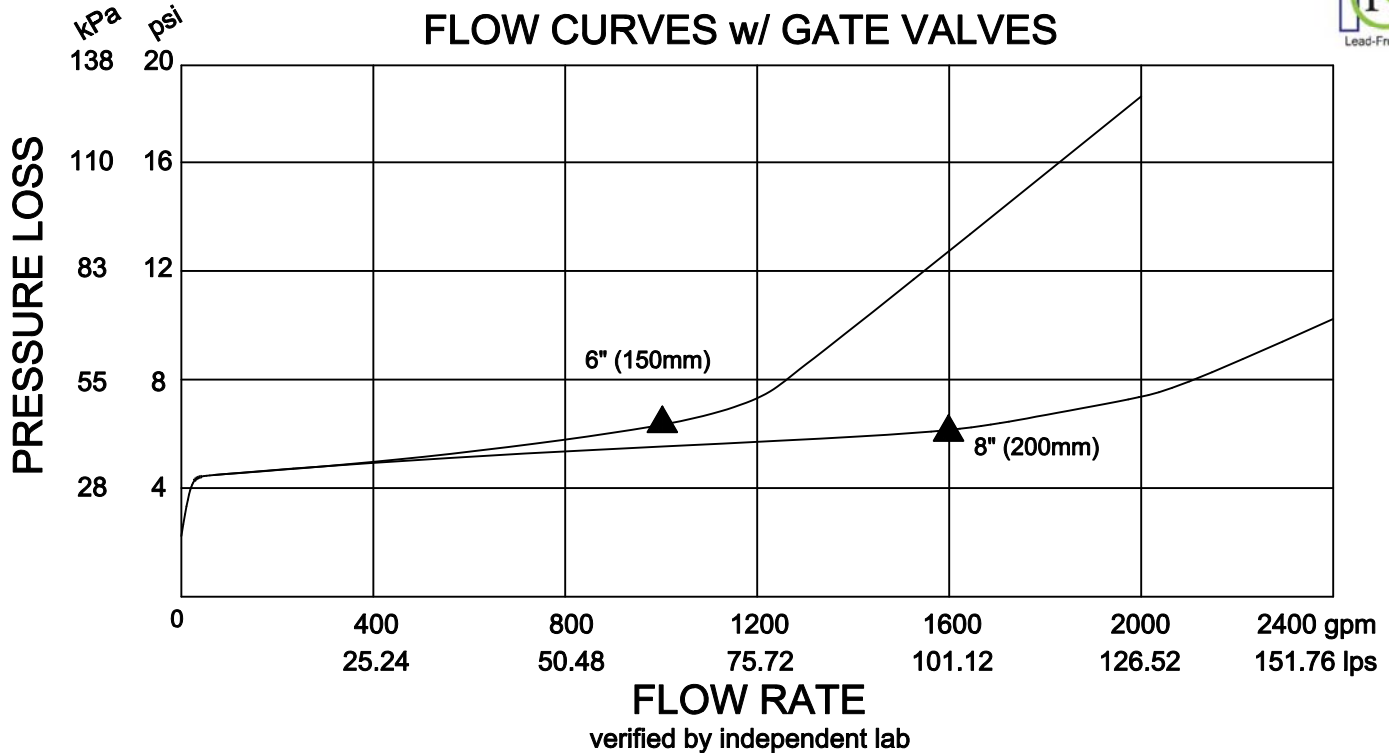
# Model DCV



Flomatic Corporation

Sizes 6" & 8" / 150 mm & 200 mm

## Headloss



## Materials

▲ = max rated flow

CV = Check Valve \* = Items are Epoxy Coated  
Items 20-26 are not shown on drawing

Item #	Qty	Description	Material	ASTM	Item #	Qty	Description	Material	ASTM
1	1	Body	Ductile Iron*	60-40-18	14	1	2nd CV Stem Retainer	Stainless Steel	304
2	1	Cover	Ductile Iron*	60-40-18	15	1	2nd CV Spring	Stainless Steel	302
3	4	Ball Valve	Unleaded Bronze	C90500	16	1	2nd CV Seat Ring	Unleaded Bronze	C89833
4	1	Cover Gasket	Nitrile/Nylon	-----	17	3	Nipple	Red Brass	-----
5	1	1st CV Stem Retainer	Stainless Steel	304	18	1	ID Tag	Brass	-----
6	1	1st CV Spring	Stainless Steel	302	19	2	Grip Nail	Stainless Steel	304
7	2	CV Stem	Stainless Steel	304	20	2	NRS Gate Valve	Cast Iron*	-----
8	1	1st CV Seat Ring	Unleaded Bronze	C89833	21	16	Bolt	Galvanized Steel	-----
9	2	CV O'Ring	Buna-n	-----	22	16	Nut	Galvanized Steel	-----
10	2	CV Disc Retainer	Stainless Steel	304	23	12	Bolt	Stainless Steel	18-8
11	2	CV Disc	Silicone Rubber	-----	24	2	Ring Gasket	Buna-n	-----
12	2	CV Spring Clip	Stainless Steel	302	25	1	Nipple	Red Brass	-----
13	2	CV Disc Holder	Unleaded Bronze	C89833	26	1	NPT Plug	Red Brass	-----

Danfoss Flomatic can accept no responsibility for possible errors in catalogues, brochures and other printed material. Danfoss Flomatic reserves the right to alter its products without notices. This also applies to product already agreed. All trademarks in this material are property of the respective companies. All right reserved. ©2010 Danfoss Flomatic Corporation. The drawings & information on this drawing sheet are the sole & exclusive property of Danfoss Flomatic Corporation. Any reproduction, distribution, display or use of these drawings or information in whole or in part without written authorization of Danfoss Flomatic Corp is strictly prohibited.