

Backflow Preventer

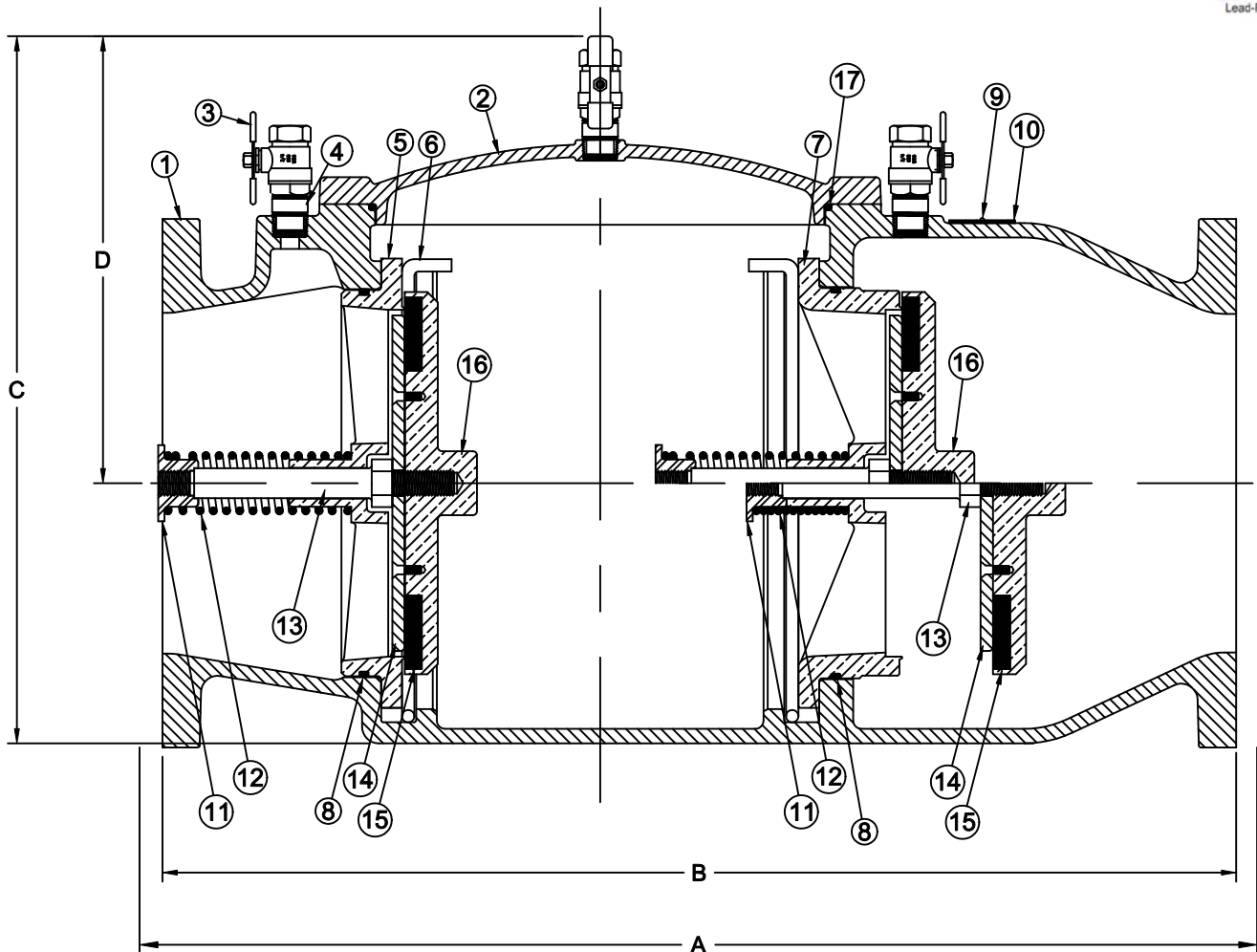
Sizes 10"/ 250 mm

Model DCV



Flomatic Corporation

Materials



NOTES: DIMENSION A INCLUDES AN AWWA C509 RESILENT WEDGE NRS OR OS&Y TYPE GATE VALVES

Dimensions

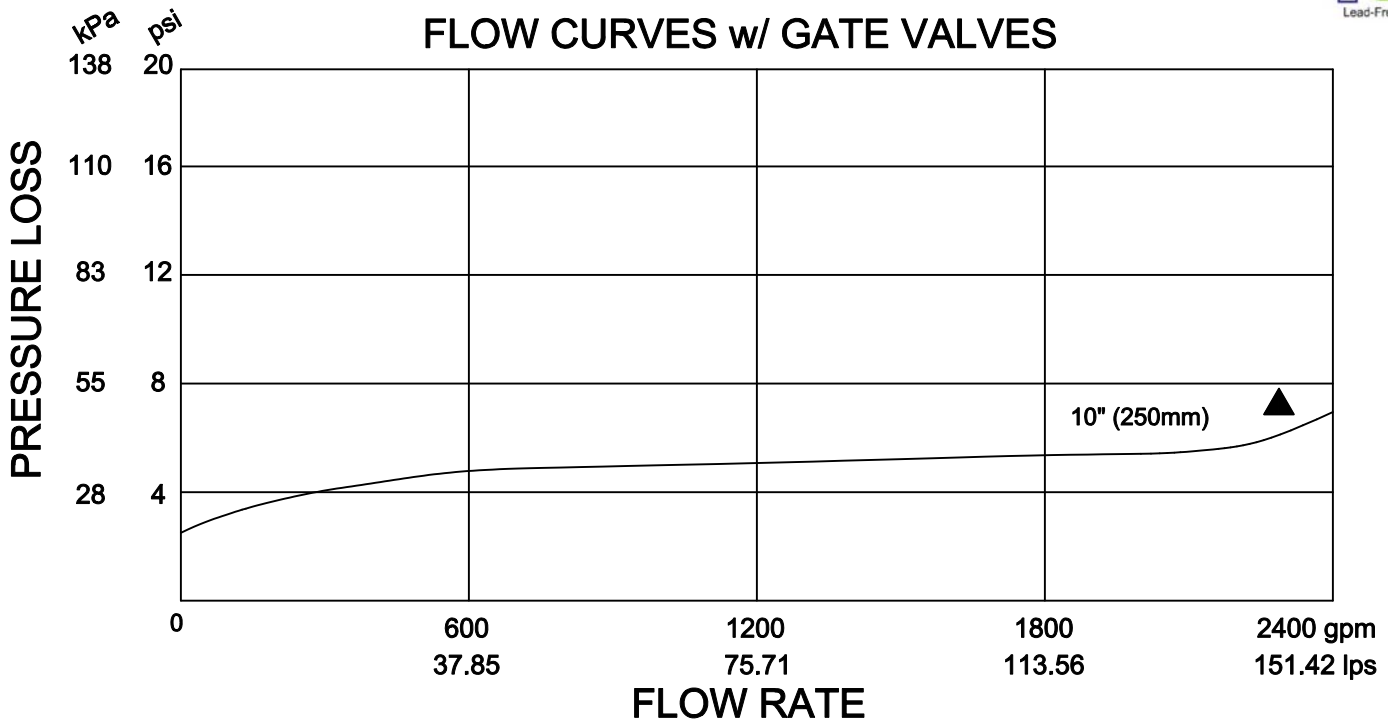
Max Temp 140°F (60°C)
Max Pressure 175psi (12bar)

Size		Part #	A		B		C		D		Width		Wgt with GV		Wgt less GV	
Inch	mm		Inch	mm	Inch	mm	Inch	mm	Inch	mm	Inch	mm	lbs	kg	lbs	kg
10	250	B91011	58-3/4	1492	32-1/2	826	21-13/32	544	13-17/32	344	18	457	1170	530	450	204

Danfoss Flomatic can accept no responsibility for possible errors in catalogues, brochures and other printed material. Danfoss Flomatic reserves the right to alter its products without notices. This also applies to product already agreed. All trademarks in this material are property of the respective companies. All right reserved. ©2010 Danfoss Flomatic Corporation. The drawings & information on this drawing sheet are the sole & exclusive property of Danfoss Flomatic Corporation. Any reproduction, distribution, display or use of these drawings or information in whole or in part without written authorization of Danfoss Flomatic Corp is strictly prohibited.



Headloss



Materials

Item #	Qty	Description	Material	ASTM	Item #	Qty	Description	Material	ASTM
1	1	Body	Ductile Iron*	60-40-18	13	2	CV Stem	Stainless Steel	304
2	1	Cover	Ductile Iron*	60-40-18	14	2	CV Disc Retainer	Stainless Steel	304
3	4	Ball Valve	Unleaded Bronze	C90500	15	2	CV Disc	Silicone Rubber	-----
4	4	Nipple	Red Brass	-----	16	2	CV Disc Holder	Unleaded Bronze	C89833
5	1	1st CV Seat Ring	Unleaded Bronze	C89833	17	1	Cover O'Ring	Buna-n	-----
6	2	CV Spring Clip	Stainless Steel	302	18	2	R.W. NRS Gate Valve	Cast Iron*	-----
7	1	2nd CV Seat Ring	Unleaded Bronze	C89833	19	1	3/4" NPT Pipe Plug	Bronze	B584
8	2	CV Seat O'Ring	Buna-n	-----	20	24	Nut	Galvanized Steel	-----
9	2	Grip Nail	Stainless Steel	304	21	24	Bolt	Galvanized Steel	-----
10	1	ID Tag	Brass	-----	22	2	Ring Gasket	Silicone Rubber	-----
11	2	CV Spring Retainer	Stainless Steel	304	23	16	Bolt	Stainless Steel	18-8
12	2	CV Spring	Stainless Steel	302	CV = Check Valve RV = Relief Valve * = Items are Epoxy Coated Items 18-23 are not shown on drawing				

Danfoss Flomatic can accept no responsibility for possible errors in catalogues, brochures and other printed material. Danfoss Flomatic reserves the right to alter its products without notices. This also applies to product already agreed. All trademarks in this material are property of the respective companies. All right reserved. ©2010 Danfoss Flomatic Corporation. The drawings & information on this drawing sheet are the sole & exclusive property of Danfoss Flomatic Corporation. Any reproduction, distribution, display or use of these drawings or information in whole or in part without written authorization of Danfoss Flomatic Corp is strictly prohibited.