

Backflow Preventer

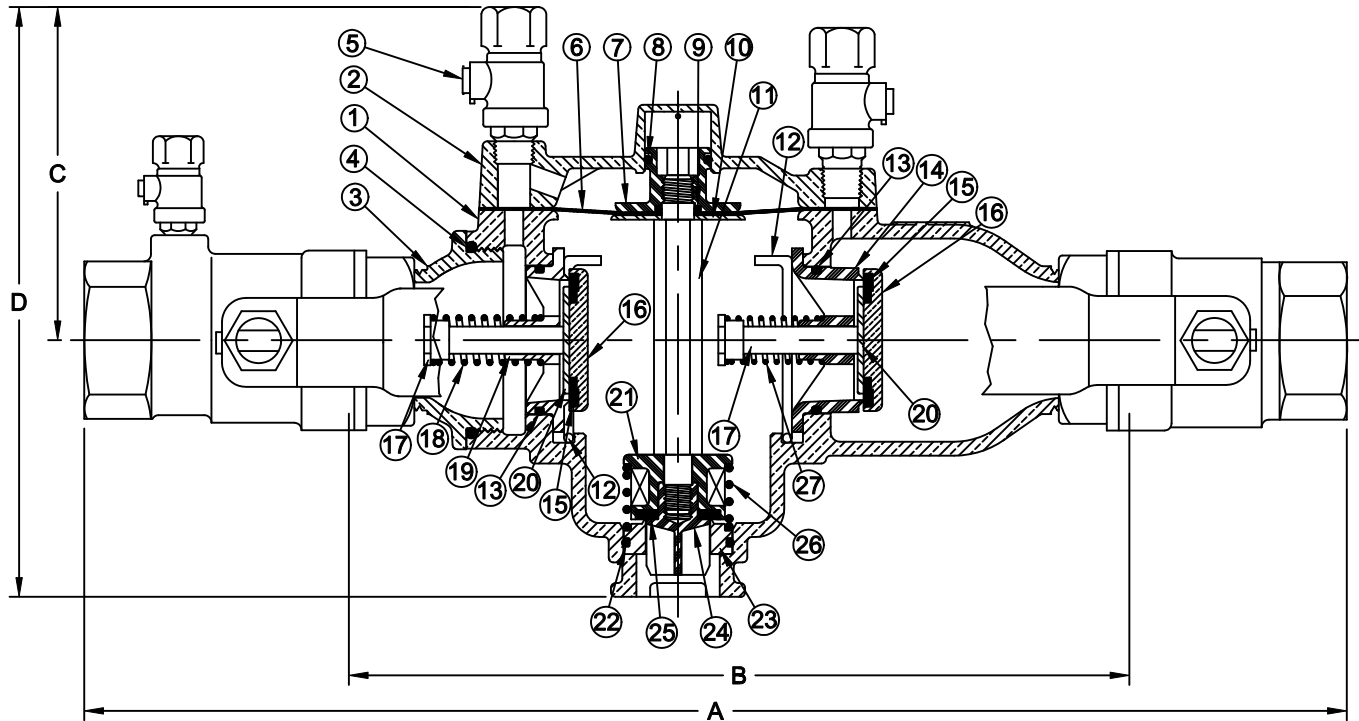
Sizes 1-1/2" / 40mm

Model RPZE II



Flomatic Corporation

Materials



Item #	Qty	Description	Material	ASTM	Item #	Qty	Description	Material	ASTM
1	1	Body	Unleaded Bronze	C89833	16	2	CV Disc Holder	Bronze	B584
2	1	Cover	Unleaded Bronze	C89833	17	2	CV Stem	Bronze	B584
3	1	Tailpiece	Unleaded Bronze	C89833	18	1	1st CV Valve Spring	Stainless Steel	302
4	1	Tailpiece O'Ring	Buna-n	-----	19	1	1st CV Seat Ring	Noryl GFN2-780S	-----
5	4	Testcock	Bronze	B584	20	2	CV Disc Retainer	Stainless Steel	304
6	1	Diaphragm	Nitrile/Nylon	-----	21	1	RV Disc Holder	Noryl GFN2-780S	-----
7	1	RV Piston	Noryl GFN2-780S	-----	22	1	RV Seat O'Ring	Buna-n	-----
8	1	RV Piston O'Ring	Silicone Rubber	-----	23	1	RV Seat	Stainless Steel	304
9	1	RV Stem O'Ring	Buna-n	-----	24	1	RV Disc Retainer	Noryl GFN2-780S	-----
10	1	RV Diaphragm Plate	Stainless Steel	304	25	1	RV Disc	Silicone Rubber	-----
11	1	RV Stem	Alloy 314	-----	26	1	RV Spring	Stainless Steel	302
12	2	CV Spring Clip	Stainless Steel	302	27	1	2nd CV Spring	Stainless Steel	302
13	2	CV O'Ring	Buna-n	-----	28	1	Ball Valve	Bronze	B584
14	1	2nd CV Seat Ring	Noryl GFN2-780S	-----	29	1	Ball Valve w/ Test Boss	Bronze	B584
15	2	CV Disc	Silicone Rubber	-----	30	6	Bolt	Stainless Steel	18-8

CV = Check Valve
RV = Relief Valve

Also available with BSPP & JIS threads less ball valves.

Flomatic Corporation can accept no responsibility for possible errors in catalogues, brochures and other printed material. Flomatic Corporation reserves the right to alter its products without notices. This also applies to product already agreed. All trademarks in this material are property of the respective companies. All right reserved. ©2011 Flomatic Corporation. The drawings & information on this drawing sheet are the sole & exclusive property of Flomatic Corporation. Any reproduction, distribution, display or use of these drawings or information in whole or in part without written authorization of Flomatic Corporation is strictly prohibited.

Backflow Preventer

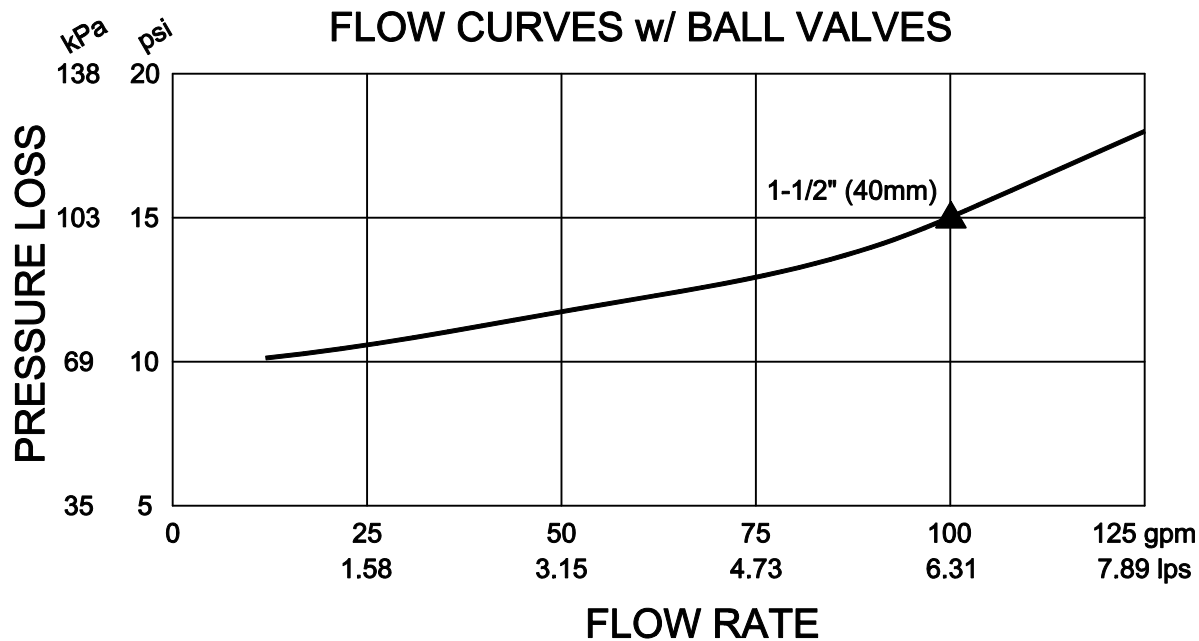
Model RPZE II



Flomatic Corporation

Sizes 1-1/2" / 40mm

Headloss



Warning

For products sold in California
Not For Use in Drinking Water Systems

For more information on California Proposition 65 contact
www.oehha.org/prop65/background

Danfoss Flomatic Corporation
 Glens Falls, NY
www.danfossflomatic.com

Dimensions

Max Temp 180°F (82°C)
 Max Pressure 175psi (12bar)

Size		Part #	A		B		C		D		Wgt with BV		Wgt less BV	
Inch	mm		Inch	mm	Inch	mm	Inch	mm	Inch	mm	lbs	kg	lbs	kg
1-1/2	40	B9303E	17	432	10-1/2	267	4-1/2	114	8	203	18.5	8.5	12	5.5

Flomatic Corporation can accept no responsibility for possible errors in catalogues, brochures and other printed material. Flomatic Corporation reserves the right to alter its products without notices. This also applies to product already agreed. All trademarks in this material are property of the respective companies. All right reserved. ©2011 Flomatic Corporation. The drawings & information on this drawing sheet are the sole & exclusive property of Flomatic Corporation. Any reproduction, distribution, display or use of these drawings or information in whole or in part without written authorization of Flomatic Corporation is strictly prohibited.

