

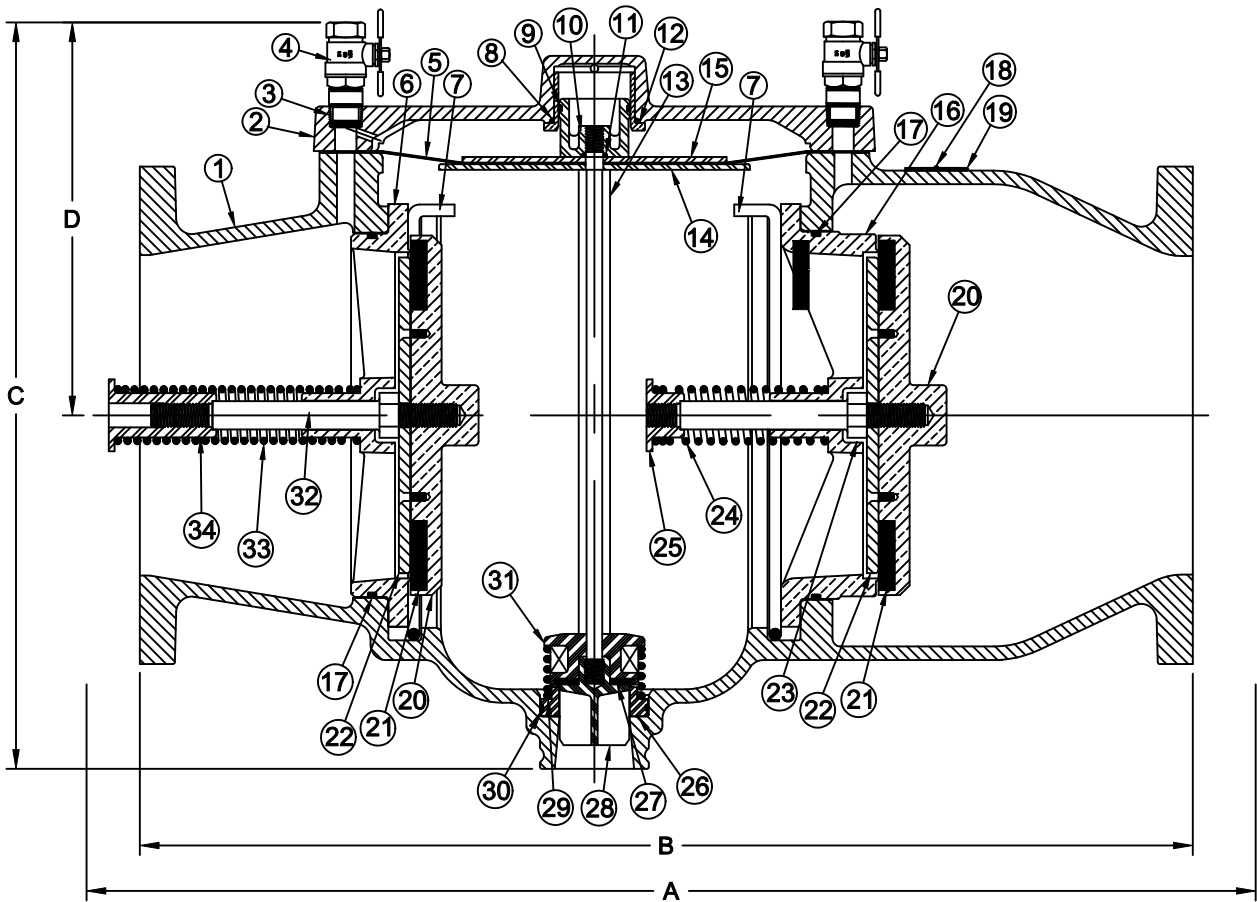
# Backflow Preventer

Sizes 10"/ 250 mm

Model RPZ **FLOMATIC**

Flomatic Corporation

## Materials



NOTES: DIMENSION A INCLUDES AN AWWA C509 RESILENT WEDGE NRS OR OS&Y TYPE GATE VALVES

## Dimensions

Max Temp 140°F (60°C)  
Max Pressure 175psi (12bar)

Size		Part #	A		B		C		D		Width		Wgt with GV		Wgt less GV	
Inch	mm		Inch	mm	Inch	mm	Inch	mm	Inch	mm	Inch	mm	lbs	kg	lbs	kg
10	250	B92011	60	1524	33-7/8	860	22-15/16	583	11-9/16	294	18	457	1250	567	530	240

Danfoss Flomatic can accept no responsibility for possible errors in catalogues, brochures and other printed material. Danfoss Flomatic reserves the right to alter its products without notices. This also applies to product already agreed. All trademarks in this material are property of the respective companies. All right reserved. ©2010 Danfoss Flomatic Corporation. The drawings & information on this drawing sheet are the sole & exclusive property of Danfoss Flomatic Corporation. Any reproduction, distribution, display or use of these drawings or information in whole or in part without written authorization of Danfoss Flomatic Corp is strictly prohibited.