



MATERIALS:

Valve Body: Brass ASTM B16
 Elastomers: Buna Nitrile FDA approved
 Internals: Stainless Steel, 300 series & Brass, ASTM B16
 Polymers: Acetal (Delrin™), NSF Listed

APPLICATION:

The Flomatic model HB8 is especially designed to prevent against backsiphonage of polluted water into the potable water supply. It is used on potable water lines such as service sinks, laundry tubs & hose bibs. The model HB8 features a break-away set-screw for tamper-proof protection. The assembly shall provide protection where a potential health hazard does not exist.

FEATURES:

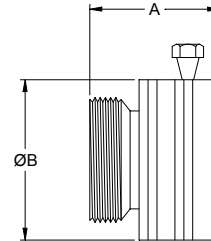
Sizes: □3/4"

Max. working pressure: 125 PSI (1379 kPa)
 Max. working temperature: 180°F (82°C)
 Thread connection: Hose Thread ANSI B1.20.7

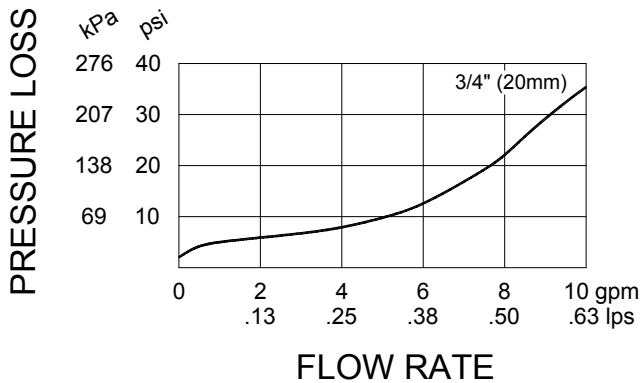
COMPLIES WITH THE FOLLOWING STANDARDS:

- ASSE® 1011
- IAPMO®
- CSA®

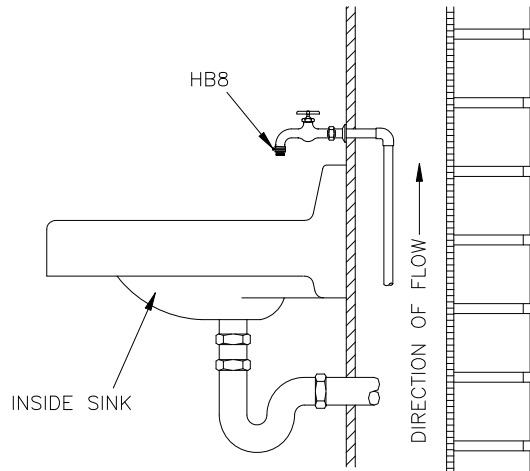
Size		Part #	A		B		Weight	
Inch	mm		Inch	mm	Inch	mm	lbs	kg
3/4	20	B800	1.30	33	1.30	33	.45	.11



FLOW CHARACTERISTICS



TYPICAL INSTALLATION



WARRANTY: Flomatic valves are guaranteed against defects of materials or workmanship when used for the services recommended. If in any recommended service, a defect develops due to material or workmanship, and the device is returned, freight prepaid, to Flomatic Corporation within 12 months from the date of purchase, it will be repaired or replaced free of charge. Flomatic Corporations' liability shall be limited to our agreement to repair or replace the valve only.