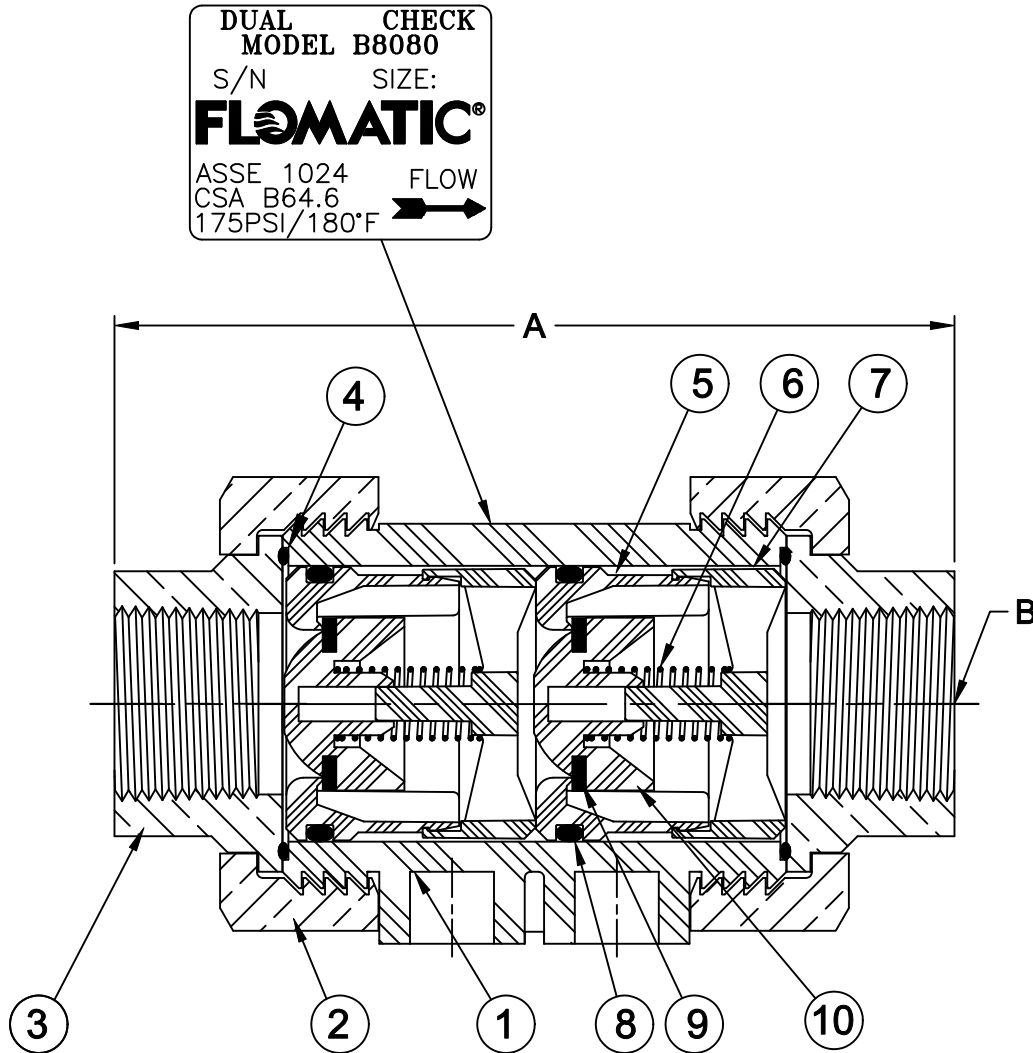


Materials



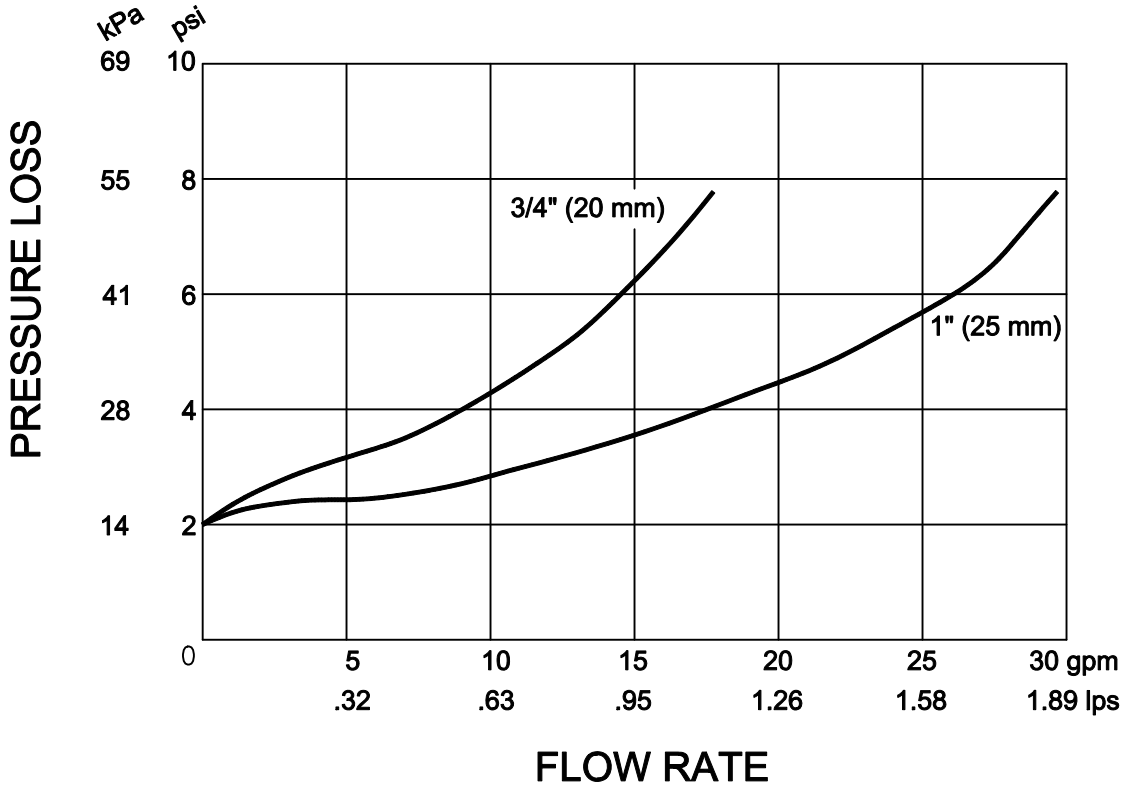
This product has been discontinued as of 7/31/10 information is for reference only

Item #	Qty	Description	Material	ASTM	Item #	Qty	Description	Material	ASTM
1	1	Body	Noryl GFN2-780S	-----	6	2	CV Spring	Stainless Steel	302
2	2	Tailpiece Nut	Brass	B16	7	2	CV Spring Retainer	Delrin	-----
3	2	Tailpiece	Brass	B16	8	2	CV O'Ring	Buna-n	-----
4	2	Tailpiece O'Ring	Buna-n	-----	9	2	CV Disc	Silicone Rubber	Grade 40
5	2	CV Housing	Delrin	-----	10	2	CV Poppet	Noryl GFN2-780S	-----

CV = Check Valve

Danfoss Flomatic can accept no responsibility for possible errors in catalogues, brochures and other printed material. Danfoss Flomatic reserves the right to alter its products without notices. This also applies to product already agreed. All trademarks in this material are property of the respective companies. All right reserved. ©2010 Danfoss Flomatic Corporation. The drawings & information on this drawing sheet are the sole & exclusive property of Danfoss Flomatic Corporation. Any reproduction, distribution, display or use of these drawings or information in whole or in part without written authorization of Danfoss Flomatic Corp is strictly prohibited.

Headloss



This product has been discontinued as of 7/31/10 information is for reference only

Dimensions

Max Temp 180°F (82°C)
Max Pressure 175psi (12bar)

Size		Part #	A		B		Weight	
inch	mm		inch	mm	NPT	lbs	kg	
3/4	20	B8080	4-3/8	111	3/4	1	.5	
1	25	B8081	4-3/8	111	1	1	.5	

Danfoss Flomatic can accept no responsibility for possible errors in catalogues, brochures and other printed material. Danfoss Flomatic reserves the right to alter its products without notices. This also applies to product already agreed. All trademarks in this material are property of the respective companies. All right reserved. ©2010 Danfoss Flomatic Corporation. The drawings & information on this drawing sheet are the sole & exclusive property of Danfoss Flomatic Corporation. Any reproduction, distribution, display or use of these drawings or information in whole or in part without written authorization of Danfoss Flomatic Corp is strictly prohibited.