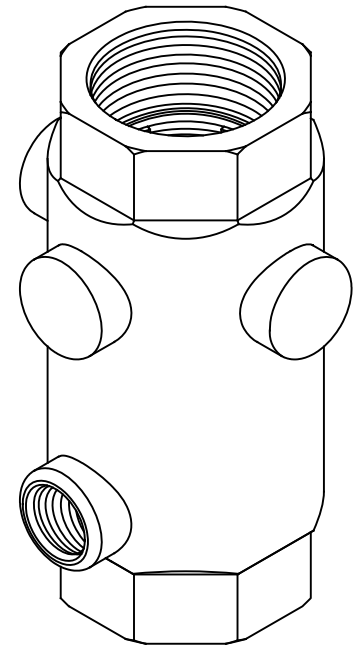
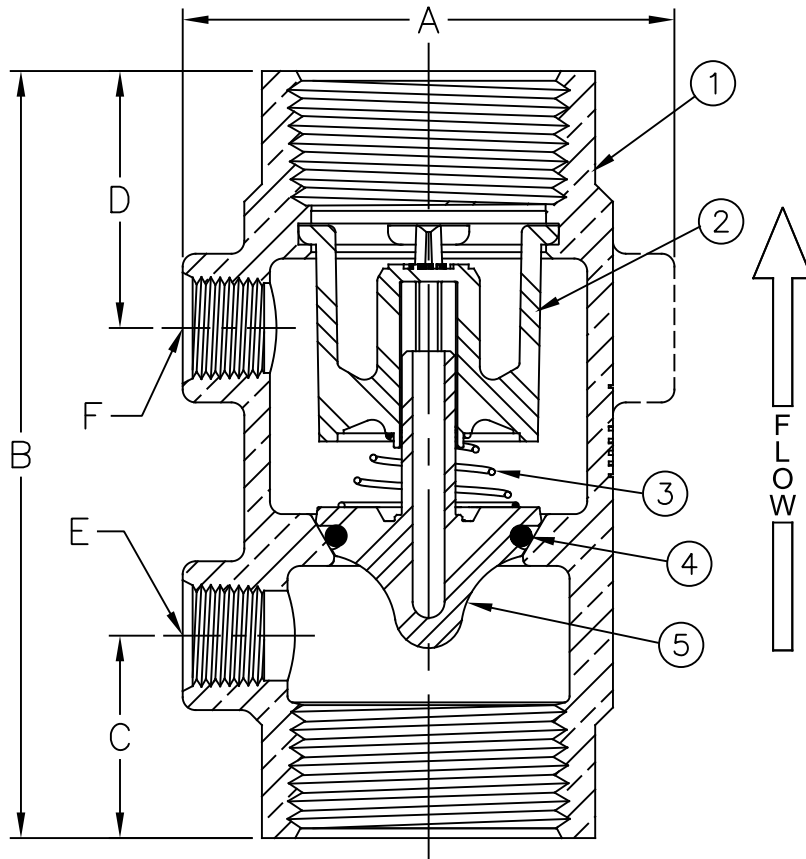


Sizes 1-1/4" / 32 mm
Single Tap



Materials



Max Temp 180°F (82°C)
Max Pressure 400 psi (28bar)

| Item # | Qty | Description | Material | ASTM | Item # | Qty | Description | Material | ASTM |
|--------|-----|-------------|-----------------|-----------|--------|-----|-------------|----------|-----------|
| 1 | 1 | Body | Unleaded Bronze | C89833 | 4 | 1 | O-Ring | Buna-n | ----- |
| 2 | 1 | Guide | Delrin | 100 Black | 5 | 1 | Poppet* | Delrin | 100 Black |
| 3 | 1 | Spring | Stainless Steel | 302 | | | | | |

*Optional SS add an S between E & VFD

Dimensions (FNPT X FNPT)

Patent # 8,978,696

ANSI B1.20.1

| Size | | Part # | A | | B | | C | | D | | E (Inlet NPT) | F (Outlet NPT) | Weight | |
|-------|----|----------|------|----|------|-----|------|----|------|----|------------------|-------------------|--------|-----|
| inch | mm | | inch | mm | inch | mm | inch | mm | inch | mm | | | lbs | kg |
| 1-1/4 | 32 | 4042EVFD | 2.63 | 69 | 4.61 | 117 | 1.19 | 30 | 1.72 | 45 | 1/8 | N/A | 2.2 | 1.0 |
| 1-1/4 | 32 | 7983EVFD | 2.63 | 69 | 4.61 | 117 | 1.19 | 30 | 1.72 | 45 | 1/4 | N/A | 2.2 | 1.0 |
| 1-1/4 | 32 | 8982EVFD | 2.63 | 69 | 4.61 | 117 | 1.19 | 30 | 1.72 | 45 | N/A | 1/8 | 2.2 | 1.0 |
| 1-1/4 | 32 | 7984EVFD | 2.63 | 69 | 4.61 | 117 | 1.19 | 30 | 1.72 | 45 | N/A | 1/4 | 2.2 | 1.0 |

Flomatic Corporation can accept no responsibility for possible errors in catalogues, brochures and other printed material. Flomatic Corporation reserves the right to alter its products without notices. This also applies to product already agreed. All trademarks in this material are property of the respective companies. All rights reserved. ©2024 Flomatic Corporation. The drawings & information on this drawing sheet are the sole & exclusive property of Flomatic Corporation. Any reproduction, distribution, display or use of these drawings or information in whole or in part without written authorization of Flomatic Corporation is strictly prohibited. www.flomatic.com