

Stainless Steel Check Valve Model 80S6CLVFD

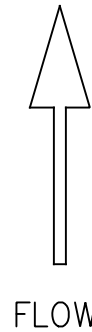
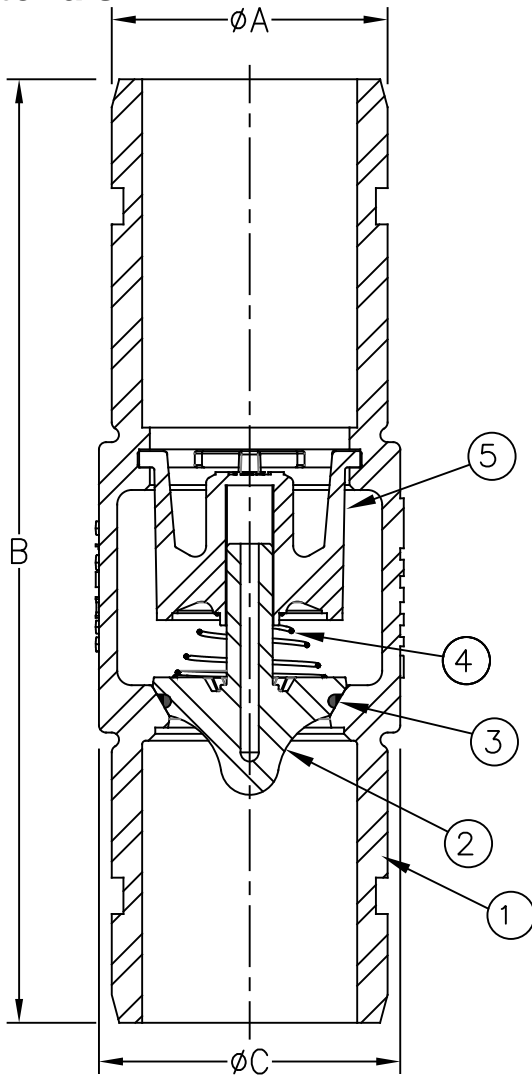


Flomatic Corporation

Sizes 2" / 50mm



Materials



Max Temp 180°F (82°C)
Max Pressure 400psi (28bar)

Item #	Qty	Description	Material	ASTM
1	1	Body	Stainless Steel	316
2	1	Poppet	Stainless Steel	316
3	1	O'Ring	Buna-N	-----
4	1	Spring	Stainless Steel	302
5	1	Stem Guide	Delrin	100 Black

Dimensions (Certa-Lok®)

Patent # 8,978,696

Size		Part #	A		B		C		Weight	
inch	mm		inch	mm	inch	mm	inch	mm	lbs	kg
2	50	7937S6CLVFD	2-3/8	60	8-1/8	206	2-13/32	66	3.8	1.7

Flomatic Corporation can accept no responsibility for possible errors in catalogues, brochures and other printed material. Flomatic Corporation reserves the right to alter its products without notices. This also applies to product already agreed. All trademarks in this material are property of the respective companies. All right reserved. ©2018 Flomatic Corporation. The drawings & information on this drawing sheet are the sole & exclusive property of Flomatic Corporation. Any reproduction, distribution, display or use of these drawings or information in whole or in part without written authorization of Flomatic Corporation is strictly prohibited. www.flomatic.com



January 18, 2017
Dwg No: S7937S6-VFDCL Rev: A (9/18)

FLOMATIC CORPORATION
GLENS FALLS, N.Y. 12801
PHONE (518) 761-9797
FAX (518) 761-9798