

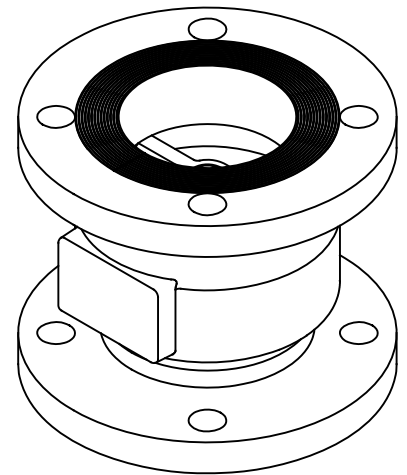
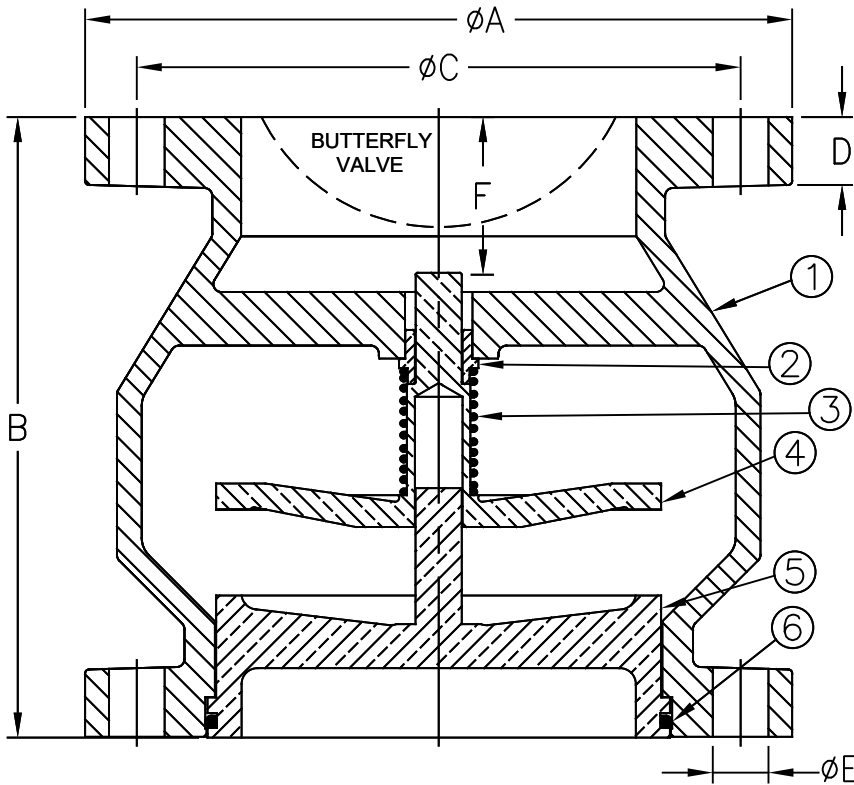
Sizes 2" Thru 6" / 50 mm Thru 150 mm
150# Flange

Flomatic Corporation

LEAD FREE
NSF/ANSI 61



Materials



Max Temp 200°F (93°C)
Max Inlet Pressure @ 150° F (65°C) 150# 300 psi (21bar)

Item #	Qty	Description	Material	ASTM
1	1	Body (Epoxy Coated)	Ductile Iron	A536 65-45-12
2	1	Bushing	Bronze	C95400
3	1	Spring	Stainless Steel	302
4	1	Poppet	Silicone Brass	C87800
5	1	*Seat Ring	Bronze	C89833
6	1	O-Ring	EPDM	5778-70

*OPTIONAL RESILIENT SEAT AVAILABLE, ADD "R" TO THE PART NUMBER

Dimensions (150# Ansi B16.42 Flanges)

MSS SP-125 Compliant
PATENT # 6,024,121

Size		Part #	ØA		B		ØC		D		ØE		F		Weight		Bolt Size	# of Bolts
inch	mm		inch	mm	inch	mm	inch	mm	inch	mm	inch	mm	inch	mm	lbs	kg		
2	50	2239BT	6	152	5.25	133	4.75	121	.63	16	.75	19	1.30	33	13	6	5/8	4
2-1/2	65	2240BT	7	178	5.50	140	5.50	140	.69	18	.75	19	1.06	27	18	8	5/8	4
3	80	2241BT	7.50	191	6	152	6	152	.75	19	.75	19	1.38	35	23	10	5/8	4
4	100	2242BT	9	229	7.25	184	7.50	191	.94	24	.75	19	1.59	41	40	18	5/8	8
5	125	2243BT	10	254	8.50	216	8.50	216	.94	24	.88	22	2	51	51	23	3/4	8
6	150	2244BT	11	279	9.75	248	9.50	241	1	25	.88	22	2.44	62	75	34	3/4	8

PATENT # 6,024,121

Flomatic Corporation can accept no responsibility for possible errors in catalogues, brochures and other printed material. Flomatic Corporation reserves the right to alter its products without notices. This also applies to product already agreed. All trademarks in this material are property of the respective companies. All rights reserved. ©2024 Flomatic Corporation. The drawings & information on this drawing sheet are the sole & exclusive property of Flomatic Corporation. Any reproduction, distribution, display or use of these drawings or information in whole or in part without written authorization of Flomatic Corporation is strictly prohibited. www.flomatic.com