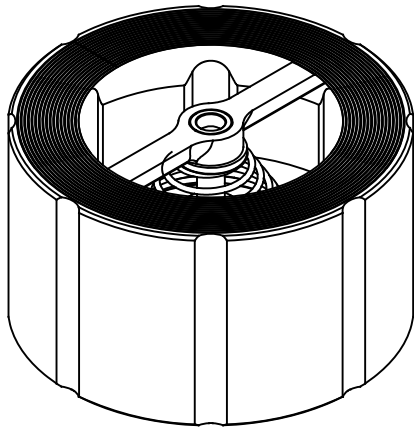
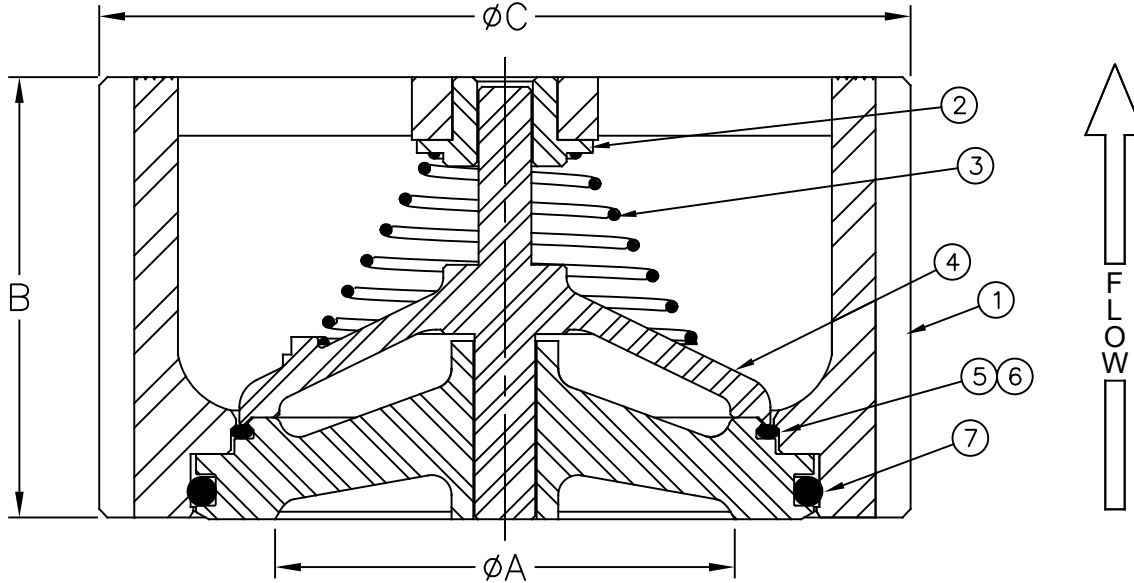




Materials



Max Temp 200°F (93°C)
 Max Inlet Pressure @ 100° F (38°C) 150# 275 psi (19bar)
 Max Inlet Pressure @ 100° F (38°C) 300# 475 psi (33bar)

Item #	Qty	Description	Material	ASTM
1	1	Body	Stainless Steel	CF8M 316
2	1	Bushing	Stainless Steel	316
3	1	Spring	Stainless Steel	316
4	1	Poppet	Stainless Steel	CF8M 316
5	1	Seat Ring*	Stainless Steel	CF8M 316
6	1	O-Ring	EPDM	5778-70
7	1	O-Ring	EPDM	5778-70

*OPTIONAL METAL TO METAL SEAT AVAILABLE, REMOVE "R" FROM PART NUMBER

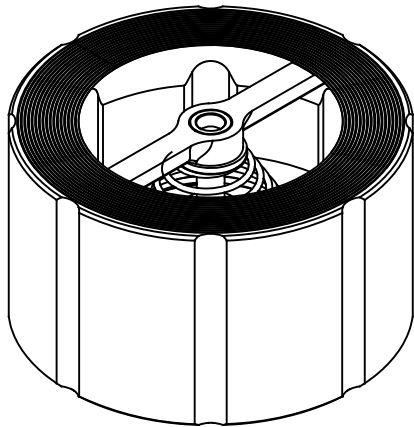
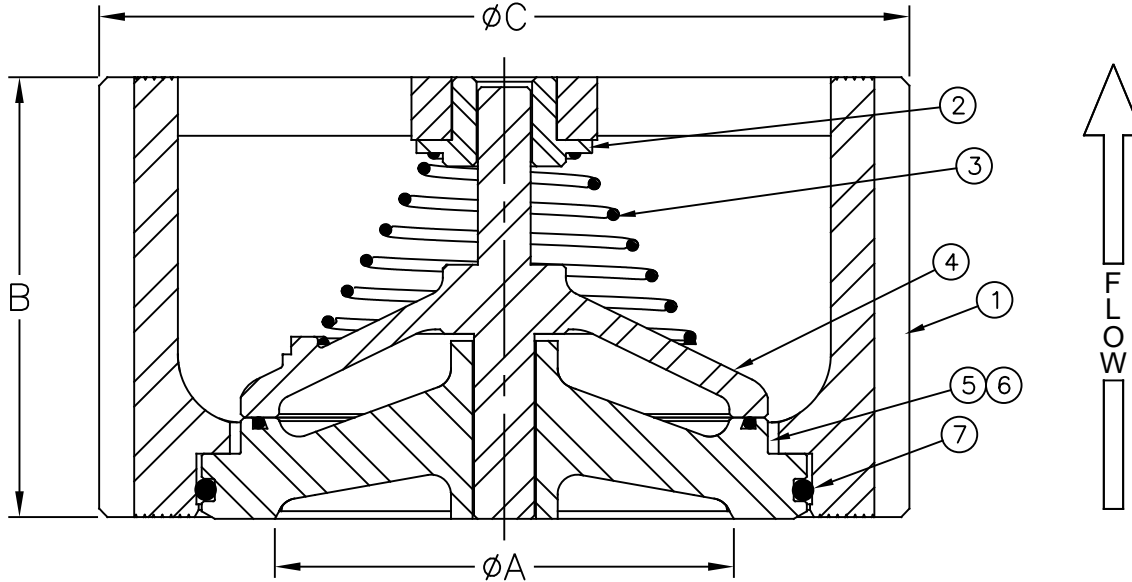
Dimensions

MSS SP-126 Compliant
 PATENT # 6,024,121

Size		Part #	ØA		B		ØC		Weight		# of Bolts		Bolt Size by Flange	
inch	mm		inch	mm	inch	mm	inch	mm	lbs	kg	150#	300#	150#	300#
2	50	2434S6R	2.41	61	2.63	67	4.25	108	5	2.5	4	8	5/8 x 5-1/4	5/8 x 5-1/2
3	80	2435S6R	3.25	82	3.13	79	5.75	146	11	5	4	8	5/8 x 6-1/4	3/4 x 7
4	100	2436S6R	4.25	108	4	102	7	178	18	8	8	8	5/8 x 7	3/4 x 8

Fromatic Corporation can accept no responsibility for possible errors in catalogues, brochures and other printed material. Fromatic Corporation reserves the right to alter its products without notices. This also applies to product already agreed. All trademarks in this material are property of the respective companies. All rights reserved. ©2024 Fromatic Corporation. The drawings & information on this drawing sheet are the sole & exclusive property of Fromatic Corporation. Any reproduction, distribution, display or use of these drawings or information in whole or in part without written authorization of Fromatic Corporation is strictly prohibited. www.fromatic.com

Materials



Max Temp 200°F (93°C)
 Max Inlet Pressure @ 100° F (38°C) 150# 275 psi (19bar)
 Max Inlet Pressure @ 100° F (38°C) 300# 475 psi (33bar)

Item #	Qty	Description	Material	ASTM
1	1	Body	Stainless Steel	CF8M 316
2	1	Bushing	Stainless Steel	316
3	1	Spring	Stainless Steel	316
4	1	Poppet	Stainless Steel	CF8M 316
5	1	Seat Ring*	Stainless Steel	CF8M 316
6	1	O-Ring	EPDM	5778-70
7	1	O-Ring	EPDM	5778-70

*OPTIONAL METAL TO METAL SEAT AVAILABLE, REMOVE "R" FROM PART NUMBER

MSS SP-126 Compliant
 PATENT # 6,024,121

Dimensions

Size		Part #	ØA		B		ØC		Weight		# of Bolts		Bolt Size by Flange	
inch	mm		inch	mm	inch	mm	inch	mm	lbs	kg	150#	300#	150#	300#
2-½	65	2432S6R	2.67	68	2.88	73	5	127	7	3	4	8	5/8 x 5-1/4	3/4 x 6-1/2

Flomatic Corporation can accept no responsibility for possible errors in catalogues, brochures and other printed material. Flomatic Corporation reserves the right to alter its products without notices. This also applies to product already agreed. All trademarks in this material are property of the respective companies. All rights reserved. ©2024 Flomatic Corporation. The drawings & information on this drawing sheet are the sole & exclusive property of Flomatic Corporation. Any reproduction, distribution, display or use of these drawings or information in whole or in part without written authorization of Flomatic Corporation is strictly prohibited. www.flomatic.com