

Ball Check Valve 125# Flange

Model 408

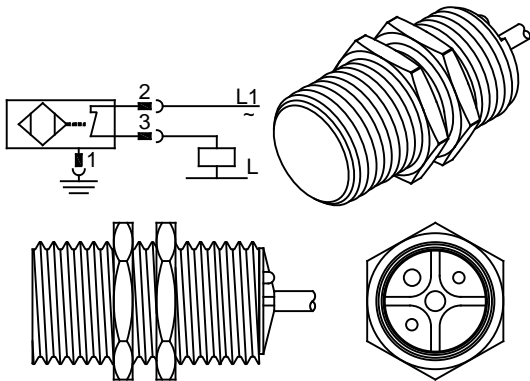
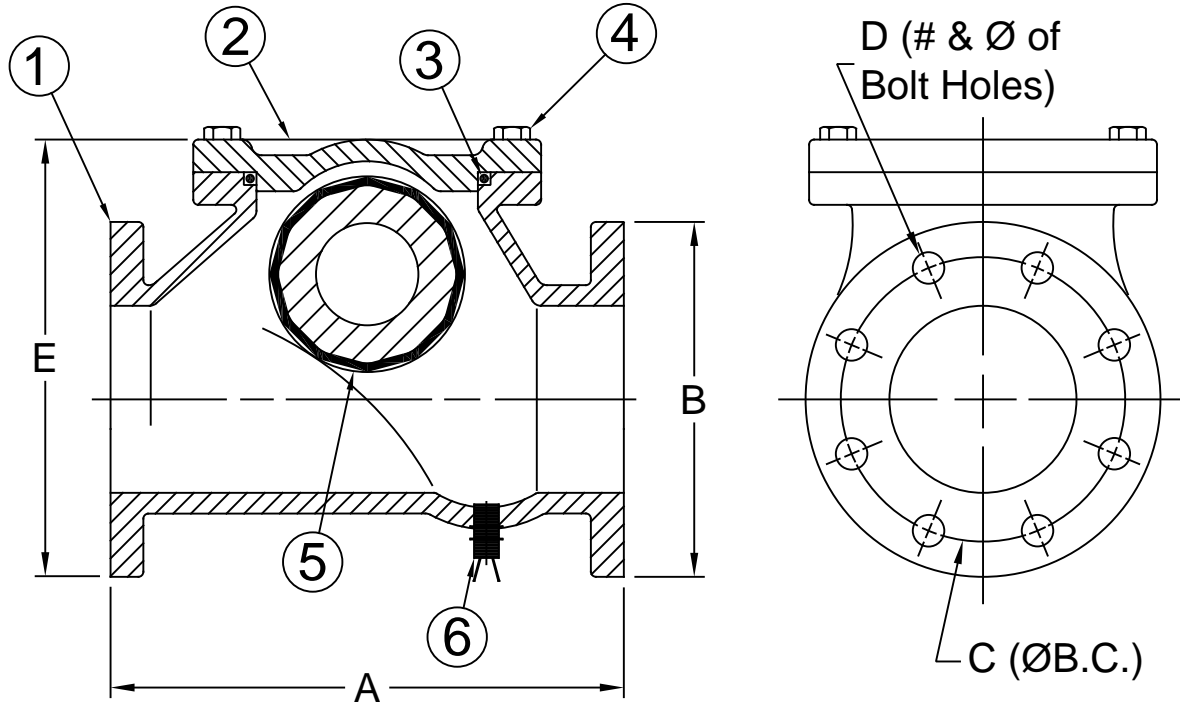


Flomatic Corporation

Sizes 5" Thru 14" / 125mm Thru 350mm



Materials with Proximity Switch



Max Temp 180°F (82°C)
Max Inlet Pressure 150 psi (10 bar)

Item #	Qty	Description	Material	ASTM
1	1	Body (Epoxy Coated)	Cast Iron	A48
2	1	Cover (Epoxy Coated)	Cast Iron	A48
3	1	O'Ring	Buna-n	-----
4	A/R	Bolt	Stainless Steel	18-8
5	1	Ball (Sinking)	Buna-n/Metal Ball	-----
6	1	Proximity Switch (Turck)	Chrome Plt Brass	-----

*Optional floating ball available add "FB" to part number

Dimensions

Size		Part #	A		B		C		D		E		Weight	
inch	mm		inch	mm	inch	mm	inch	mm	inch	mm	inch	mm	lbs	kg
5	125	2143PRX	13-25/32	350	10	254	8-1/2	216	(8) 7/8	22	13-1/8	333	85	39
10	250	2148PRX	23-5/8	524	16	406	14-1/4	362	(12) 1	25	22-59/64	582	272	123
12	300	2149PRX	27-35/64	700	19	483	17	432	(12) 1	25	28-25/64	721	541	245
14	350	2150PRX	34-29/64	875	21	533	18-3/4	476	(12) 1-1/8	29	32-9/32	820	790	358

Flomatic Corporation can accept no responsibility for possible errors in catalogues, brochures and other printed material. Flomatic Corporation reserves the right to alter its products without notices. This also applies to product already agreed. All trademarks in this material are property of the respective companies. All right reserved. ©2019 Flomatic Corporation. The drawings & information on this drawing sheet are the sole & exclusive property of Flomatic Corporation. Any reproduction, distribution, display or use of these drawings or information in whole or in part without written authorization of Flomatic Corporation is strictly prohibited. www.flomatic.com



September 15, 2003
Dwg No: S2144P Rev: J (2/19)

FLOMATIC CORPORATION
GLENS FALLS, N.Y. 12801
PHONE (518) 761-9797
FAX (518) 761-9798