



Wafer Style Check Valve

Compatible with VFD Controlled Pumps

- 888VFD
- 888S6VFD



Flomatic Valves

High Quality Valves Built to Last...

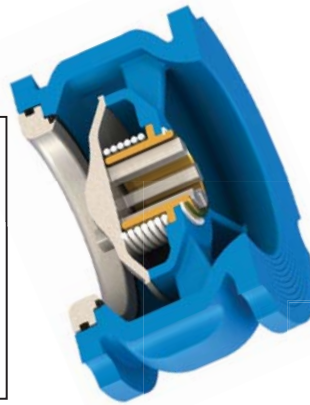
FLOMATIC® Wafer Check Valve Series 888 VFD



- Ideal For Variable Flow Rates (VFD Controlled Pumps)
- Booster Pump Systems
- Municipal/Public Water Systems
- Sizes 2" thru 10"
- Standard Wafer Style Valve Dimensions/Pressure ratings
- Up to 60% more Flow Efficient

Features & Benefits

- Lower Friction Loss
- Unique one piece poppet guide
- Stainless Steel Guiding (Replaceable)
- Strong Ductile Iron Valve Body (SS Optional)
- Un-Leaded Body, NSF 372 Certified
- Larger OD Spring for better control.



Flomatic Check Valve
Model 888 VFD (Patent Pending)



**Industry First Energy
Efficient VFD Designed
Wafer Check Valve**
(Patent Pending)

Materials

- **Valve body:** Ductile Iron (316SS optional)
- **Valve Guide:** 316 Stainless Steel
- **Follower:** 316SS (Bronze Optional)
- **Elastomer Disc:** EPDM (FDA approved)
- **Spring:** 302 Stainless Steel (316SS Optional)

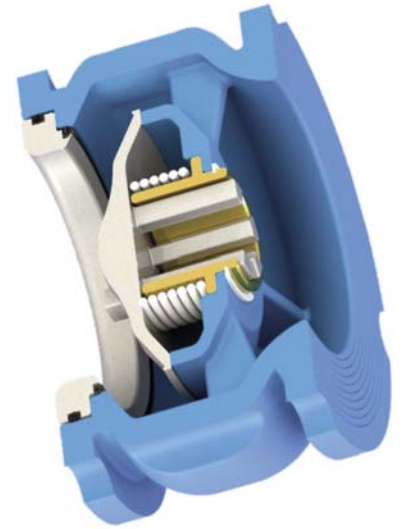
Lead Free

The Series 888 VFD Wafer Check Valve conforms to the "California Lead Plumbing Law" or "Complies with California Lead Plumbing Law" and Vermont State certified to IAPMO R&T certification mark and the Uniform Plumbing Code.





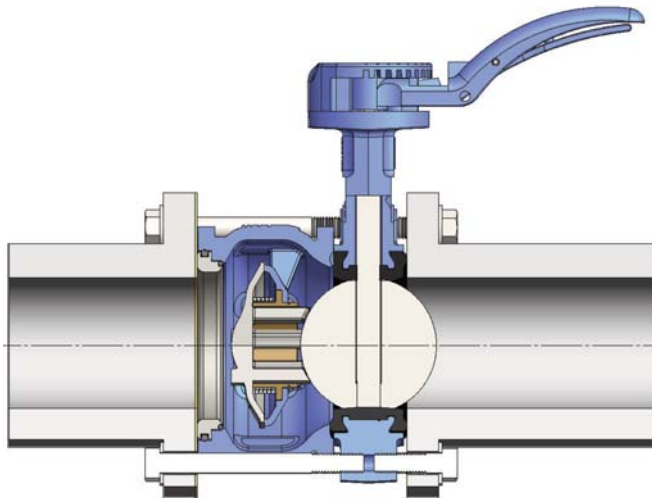
Flomatic Wafer Style Check Valve Series 888 VFD Stainless Steel Guided (Patent Pending)



Product Operation

The Flomatic Model 888 VFD is designed to minimize flow losses and hydraulic shocks in the pumping system. The standard epoxy coated (NSF approved powder) ductile iron body is equipped with stainless steel valve trim. The patent pending spring loaded poppet system is guided in an oversized bushing for stability. The unique poppet system insures that the valve operates quietly and efficiently during various flow rates with VFD controlled pumps. Automatically closes tight and noiseless after each pump cycle. The angled valve seat allows a self-cleaning action and a self-centering of the valve disc for a tight seal. All internal parts are made from corrosion resistant material.

New Compact Design



The new Flomatic Model 888 VFD Wafer Check Valve can be close coupled with a Butterfly valve. Butterfly valve can be operated with the check valve in an "open" or "closed" position with no interference in 2" thru 6" sizes. The overall length is much shorter than a traditional combination of a wafer style check valve and a butterfly valve.

A traditional Wafer Check valve cannot be close coupled with a Butterfly valve without a spacer or spool piece, longer bolts and additional flange gasket. This spool piece adds weight, takes up more space, parts and expense.

Product Specification

- Connection: 2" thru 10" (ANSI 150# & 300#)
- Max pressure: ANSI 150# / 300# 400 PSI
- Max temperature: 180°F (80°C)

Valve Material Options

- All 316SS Model 888S6VFD
- Add "V" after part number for Viton Seating

Product Warranty

- Flomatic standard one year standard valve product warranty applies. See price list with warranty information for details.

SIZE	DI PART #	WGT.
2"	2434VFD	5
2 1/2"	2432VFD	7
3"	2435VFD	11
4"	2436VFD	18
5"	2433VFD	25
6"	2437VFD	36
8"*	2438VFD	80
8"***	2438-2VFD**	85
10"*	2439VFD*	129

Sizes 2" & 6" are dual rated for 150# and 300#

* Size 8" & 10" ANSI 150#

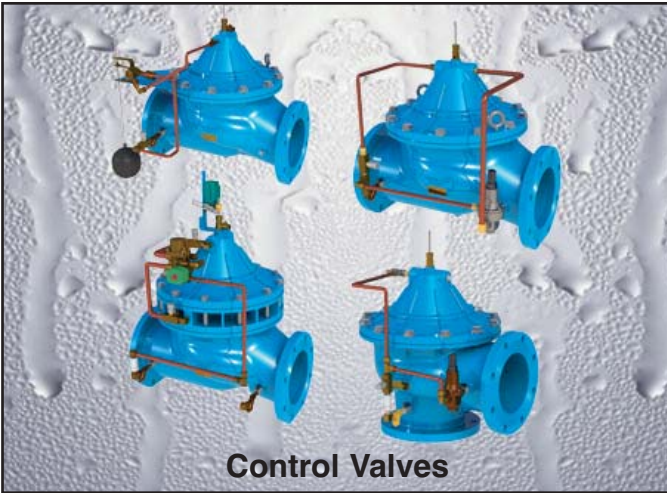
** Size ANSI 300#



15 Pruy's Island Drive, Glens Falls, New York 12801-4424
Phone: 1-800-833-2040 Fax: 518-791-9798
www.flomatic.com

FLOMATIC VALVES

Other Flomatic Products



Control Valves



VFD Check Valves



Unleaded Check Valves



Wastewater Valves



Stainless Steel Valves



Ductile Iron Valves

Warranty: LIMITED ONE YEAR WARRANTY: The Flomatic Corporation warrants that its Check Valves in all sizes are free from defects in materials and workmanship. Flomatic will replace any valve covered by this warranty found to be defective within one year from time of sale. This warranty will be void if the product has been modified in any way by the purchaser, or is subject to unreasonable use.

Flomatic can accept no responsibility for possible errors in catalogues, brochures and other printed material. Flomatic reserves the right to alter its products without notice. This also applies to products already on order provided that such alterations can be made without subsequential changes being necessary in specifications already agreed. All trademarks in this material are property of the respective companies. Flomatic and the Flomatic logotype are trademarks of Flomatic. All rights reserved.