

# Foot Valve

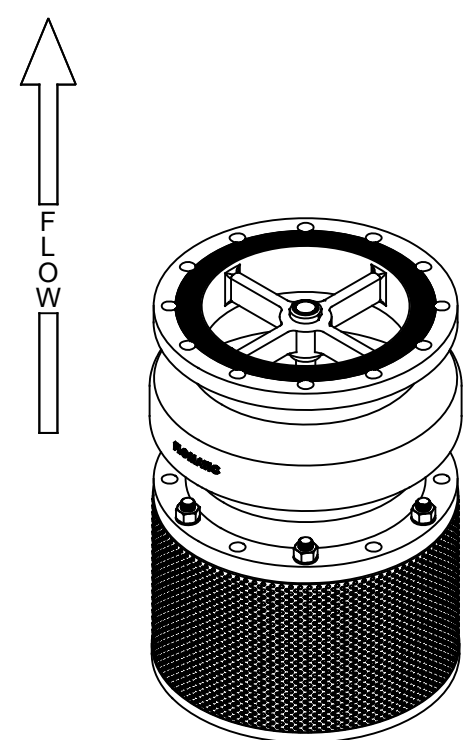
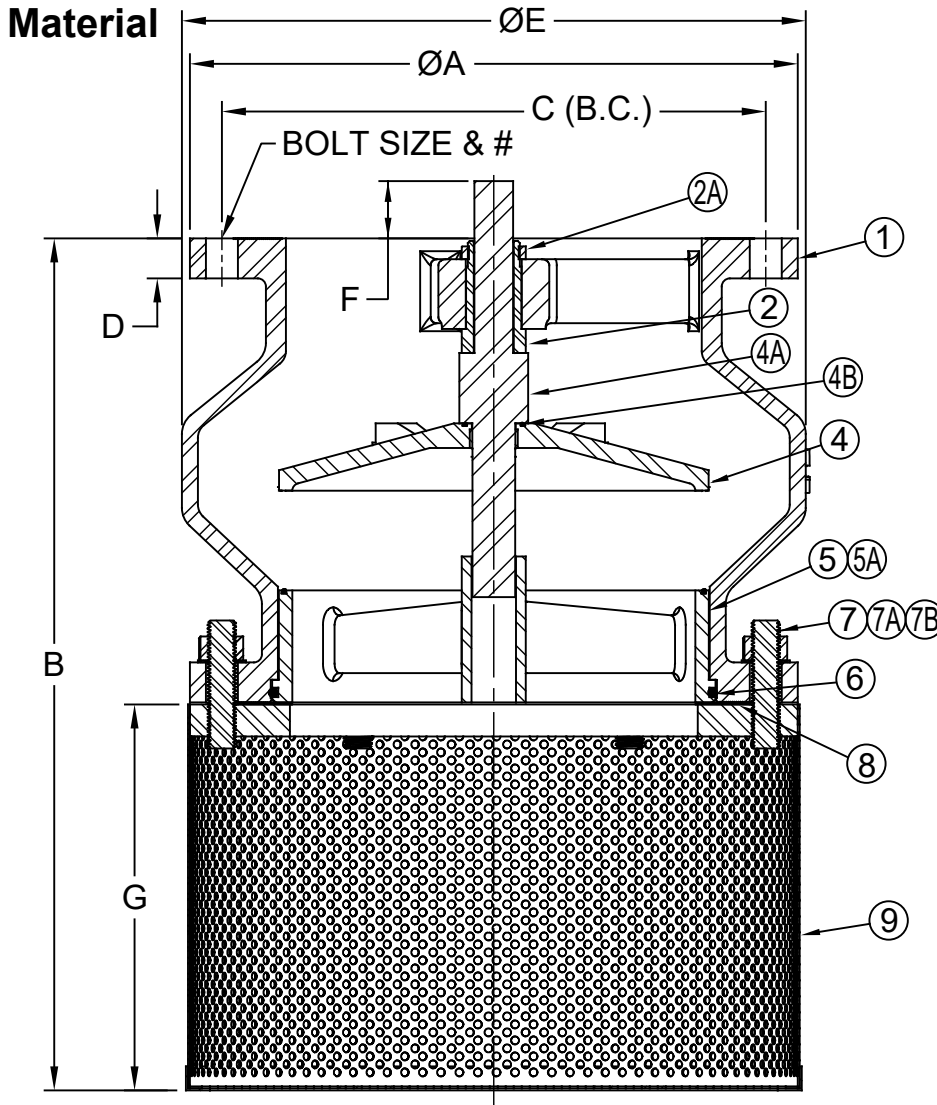
# Globe Style

# Model 302S6



Flomatic Corporation

Sizes 12" / 300 mm



Max Temp 200°F (93°C)  
Max Inlet Pressure @ 100° F (38°C) 275 psi (19bar)

Item #	Qty	Description	Material	ASTM	Item #	Qty	Description	Material	ASTM
1	1	Body (Epoxy Coated)	Stainless Steel	316	5A	1	O-Ring	EPDM	5778-70
2	1	Bushing	Stainless Steel	316	6	1	O-Ring	EPDM	5778-70
2A	1	Bushing Nut	Stainless Steel	316	7	6	Stud	Stainless Steel	316
4	1	Poppet	Stainless Steel	316	7A	6	Nut	Stainless Steel	316
4A	1	Stem	Stainless Steel	316	7B	6	Washer	Stainless Steel	316
4B	1	O-Ring	EPDM	5778-70	8	1	Gasket	Vellumoid	-----
5	1	Seat Ring	Stainless Steel	316	9	1	Screen	Stainless Steel	316

Open Area: 58-60%  
Patent # 6,024,121

## Dimensions (150# ANSI B16.42 Flanges)

Size		Part #	ØA		B		ØC		D		ØE		F		G		Bolt Size	# of Bolts	Weight	
inch	mm		inch	mm	inch	mm	inch	mm	inch	mm	inch	mm	inch	mm	inch	mm			lbs	kg
12	300	5416S6	19	483	26-9/16	675	17	432	1-1/4	32	19-1/2	495	13/16	21	12	305	7/8	12	340	154

Flomatic Corporation can accept no responsibility for possible errors in catalogues, brochures and other printed material. Flomatic Corporation reserves the right to alter its products without notices. This also applies to product already agreed. All trademarks in this material are property of the respective companies. All rights reserved. ©2021 Flomatic Corporation. The drawings & information on this drawing sheet are the sole & exclusive property of Flomatic Corporation. Any reproduction, distribution, display or use of these drawings or information in whole or in part without written authorization of Flomatic Corporation is strictly prohibited. www.flomatic.com



April 7, 2015  
Dwg No: S302S6-3 Rev: F (4/21)

FLOMATIC CORPORATION  
GLENS FALLS, N.Y. 12801  
PHONE (518) 761-9797  
FAX (518) 761-9798