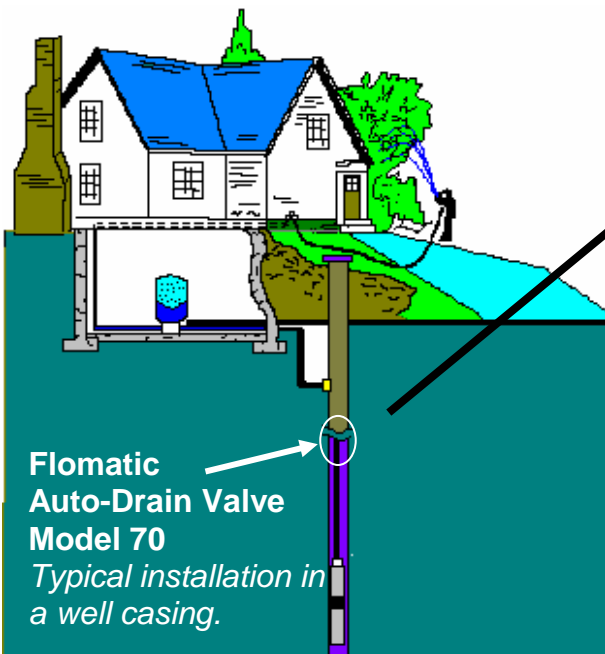


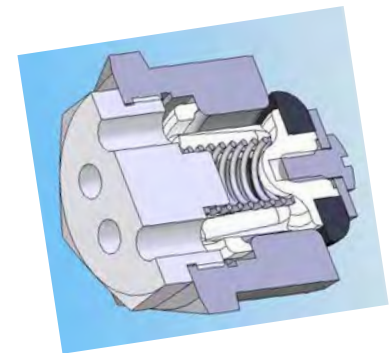
## Flomatic Auto-Drain Valve Model 70

Designed to automatically drain water in:

- Domestic well water systems
- Irrigation and sprinkler systems
- Dewatering



Flomatic  
Auto-Drain Valve  
Model 70 installed in  
a riser pipe



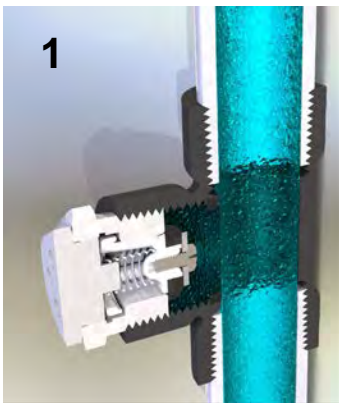
Cross-section view of  
Auto-Drain Valve Model 70

The Automatic Drain Valve, Model 70, with thousands used in water sprinkler, agricultural watering, irrigation and domestic water systems where reliable, maintenance-free performance is crucial. This valve provide automatic drainage of water lines when the line pressure drops below 5 psi (optional model 10 psi and minimum 5 gpm to close) in a closed water system.

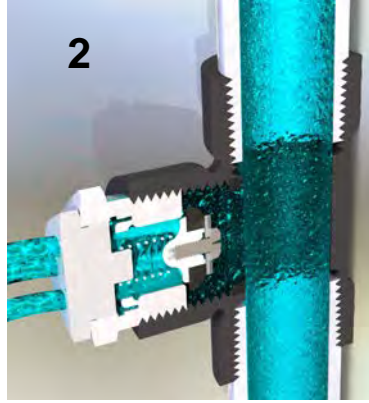
# Flomatic Auto-Drain Valve Model 70

## Simple Product Operation

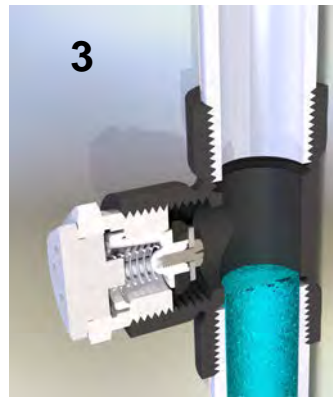
The Flomatic **Auto-Drain Valve Model 70** when properly installed in a wells riser pipe will drain the piping system when the system pressure is 5 psi (optional 10 psi) or lower. The Auto-Drain Valve will close automatically when the pipe flow starts-up and the system pressure exceeds.



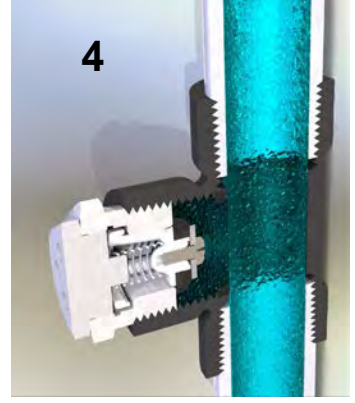
1/ Pump is "ON" Normal Flow: Auto-Drain is CLOSED



2/ Pump is "OFF" System pressure is very low: Auto-Drain is OPEN

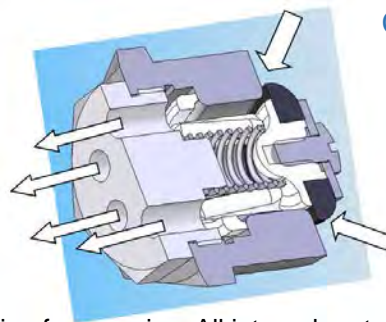


3/ System is drained



4/ Pump is "ON" Normal flow: Auto-Drain is CLOSED

**System water will drain automatically back in the water well.** The valve will close when water starts to flow at higher pressure.



## Model 70 Auto-Drain Options

The standard body material is stainless steel or PVC for corrosive-free service. All internal parts and material are the same for both models.

## Product Specification

Connection: 1" NPT Male Connection  
 Max pressure: 400 PSI (27 bar)  
 Max temperature: 180°F (80°C)  
**Auto-Drain Valve:** closing at 5 psi (Optional 10 psi)

## Materials

Stainless steel spring, fasteners and valve disc.  
 Acetal valve follower guide.



**Stainless Steel**  
Part #4501SSX



**PVC**  
Part # 4501PX

## Model 70 Auto-Drain Parts Numbers

Part # 5 psi open pressure (Standard)	Part # 10 psi open pressure (Optional)	Body Material	Case Qty.
4501PX	4501P	PVC	12
4501SSX	4501SS	Stainless Steel	12

## Product Warranty

Flomatic standard product warranty for check and foot valves apply also to **Auto-Drain Valve**.



Rev: Sep 5, 2017



15 Pruyn's Island Drive, Glens Falls, New York 12801-4424  
 Phone: 1-800-833-2040 Fax: 518-791-9798 [www.flomatic.com](http://www.flomatic.com)  
 © 2017 Flomatic Corporation