

Wafer
BUTTERFLY VALVES
2" thru 16"



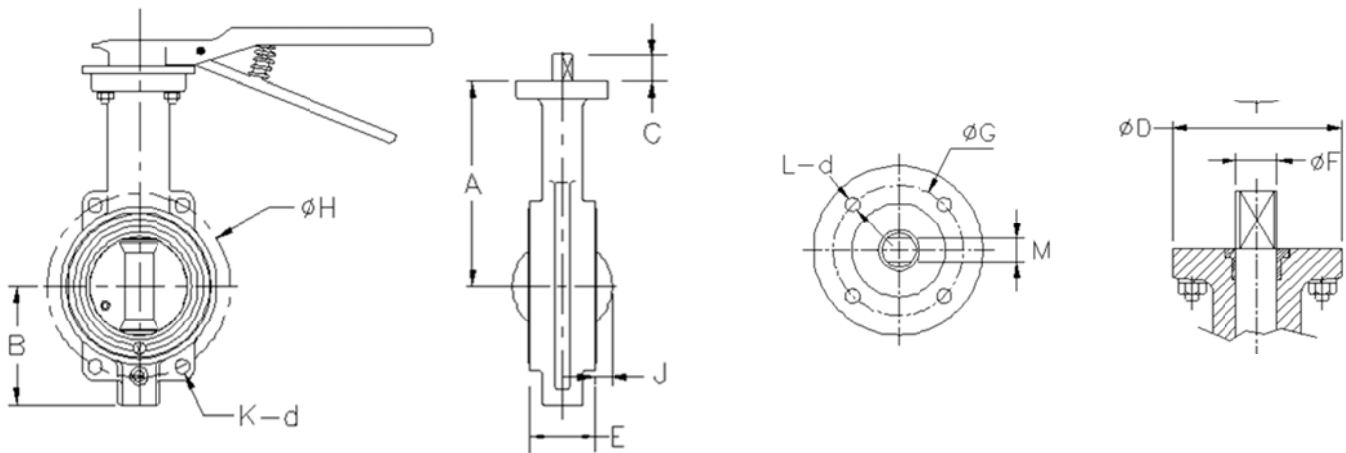
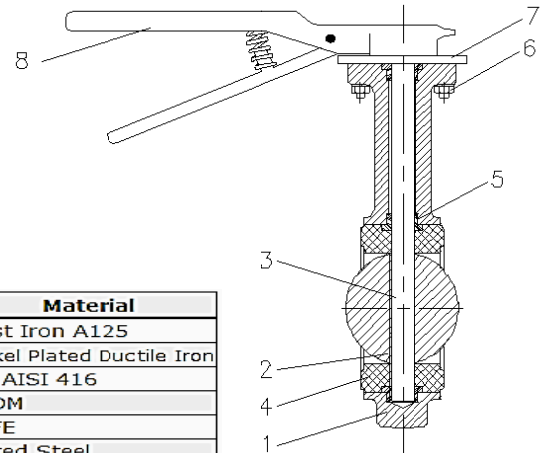
- Irrigation
- Agriculture
- General Water Systems
- Reclaimed Water Systems



Flomatic KWIK-CLOSE® Series 6000 Wafer Style Butterfly valve is the newest addition to our growing product line of high quality butterfly valves. These butterfly valves feature a ductile iron nickel plated disc, EPDM liner, one piece stainless steel stem, ISO 5211 top work design and a 10-position lockable handle. The series 6000 butterfly valves can also be provided with optional stem extensions and gear operators.



Item #	Qty	Description	Material
1	1	Body	Cast Iron A125
2	1	Disc	Nickel Plated Ductile Iron
3	1	Shaft	SS AISI 416
4	1	Liner	EPDM
5	3	Bushing	PTFE
6	4	Fasteners	Plated Steel
7	1	10-Position Lever Plate	Steel
8	1	Hand Lever	Cast Iron A126



Note: For Reference use ONLY, Specifications Subject to Change Without Notice.

Size	Part Number	A	B	C	D	E	F	G	H	J	K-d	L-d	M	ISO Flange	Weight Lbs.
2"	6102000	6.38	2.99	1.26	2.76	1.77	0.5	1.97	4.75	0.12	4-0.69	4-0.28	0.39	F05	8
3"	6103000	7.13	3.74	1.26	2.76	1.93	0.5	1.97	6	0.54	4-0.69	4-0.29	0.39	F05	9
4"	6104000	7.87	4.49	1.26	3.54	2.17	0.53	2.76	7.5	0.92	4-0.69	4-0.37	0.47	F07	13
6"	6106000	8.86	5.51	1.26	3.54	2.32	0.75	2.76	9.5	1.84	4-0.81	4-0.37	0.63	F07	18
8"	6108000	10.24	6.97	1.77	4.92	2.52	0.87	4.02	11.75	2.74	4-0.81	4-0.45	0.63	F10	37
10"	6110000	11.5	7.99	1.77	4.92	2.76	1.13	4.02	14.25	3.62	4-0.94	4-0.45	0.94	F10	51
12"	6112000	13.27	9.52	1.77	4.92	3.15	1.25	4.02	17	4.43	4-0.94	4-0.45	0.94	F10	68
14"	149GU3685	14.5	10.6	1.63	5.53	3.18	1.25	4.03	18.76	4.97	4-1.12	4-0.47	N/A	F10	80
16"	149GU3686	15.75	12.4	2.12	7.75	4.24	1.32	5.5	21.25	5.38	4-1.10	4-0.71	N/A	F14	137

Note: 14" use a key, width 0.3155". Protrusion from stem shaft is 0.125".

16" use a key, width 0.4". Protrusion from stem shaft is 0.25". **Other Flomatic Butterfly Valves Models**

Features & Benefits

- Fusion Epoxy Coated Body (Black)
- 10 Position Lockable Handle
- Corrosion Resistant Internal Parts
- Vertical or Horizontal Installation
- No Maintenance
- Temperature Rating: -30 to +250°F (intermittent +275°F)
- Pressure Rating: 200 psi



Azure®
Model 45 AWWA C504 Flanged 3" thru 24"



SYLAX®
Series 149G 2" thru 12"

Distribution By:



Flomatic Corporation
15 Pruyn's Island Drive
Glens Falls, NY 12801-4421
Tel. 800-833-2040
Fax: 800-314-3155
www.flomatic.com