

SYLAX™ SERIES 149G BUTTERFLY VALVES

Wafer & Lug Type Butterfly Valve 2" through 12"
With 10 position lockable handle (2"-12") or Gear Box (2"-12")



Applications and features

REV: 4

Designed for water supply, HVAC and general industries.

- Body types: wafer style with four centering lugs for easy installation. Lug Style with drilled and tapped lugs for direct bolting to pipe flange.
- Epoxy coating: internally and externally.
- Ease of maintenance: interchangeable parts including discs, shafts, and liners - simplifying service and reduces maintenance costs.
- Blow out proof shaft
- Spline driven one piece shaft connected to spherically machined disc allows high torque transmission i.e. quick response with minimum back-lash
- Floating disc design allows self centering - preventing wear on the liner
- Tongue and groove seat design assuring long term tightness, Bidirectional dead end service (lug style only).
- Extended service life with upper and lower anti-friction bearings
- Standard ISO top flange for direct mounting of actuator
- Lockable 10 positions handle (2"-12" standard) or gear operation.

Pneumatic actuators

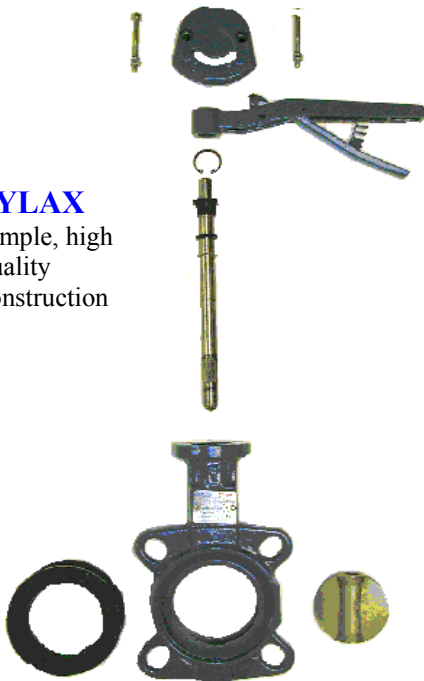


10-Position Lockable Handle

Gear Box with Handwheel

SYLAX

Simple, high quality construction

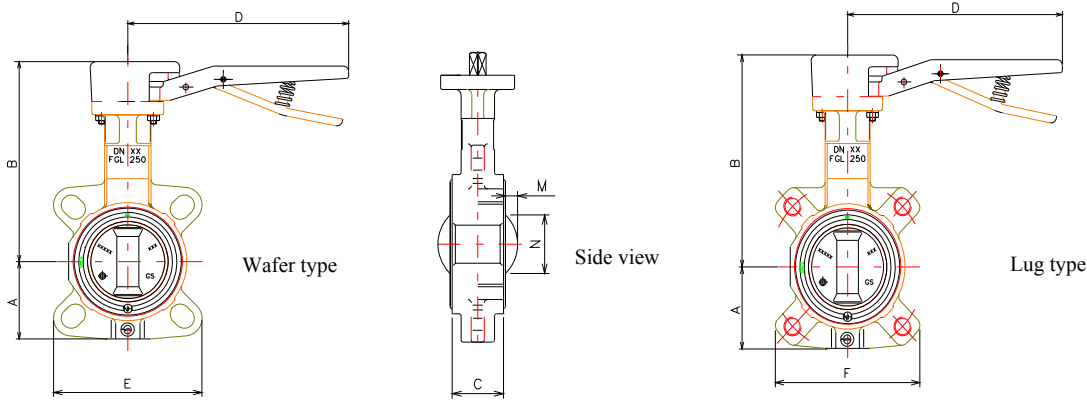


Technical features:

Description	Material
Valve Body	Cast Iron ASTM A126 Class GG25
Valve Disc	Stainless Stl AISI 316 or Ductile IronGGG40 Nylon/Epoxy Coating
Valve Seat	EPDM Standard or Buna-N and other seat material available
Valve Shaft	Stainless Steel AISI 420, 316SS
Shaft Bushings	PTFE lubricated plated steel
Top Flange	ISO 5211 standards
Face to face	API 609 table 1 (ISO 5752 class 20, DIN 3202 part 3 K1 BS 5155 table6 col.4)
Pressure rating	200 PSI / 16 bar for ANSI 150 Flange
Temperature rating (EPDM Seat Liner)	Min +14°F (-10°C) Max +230°F (+110° C)

SYLAX™ Model 149G Butterfly Valve

Dimensions

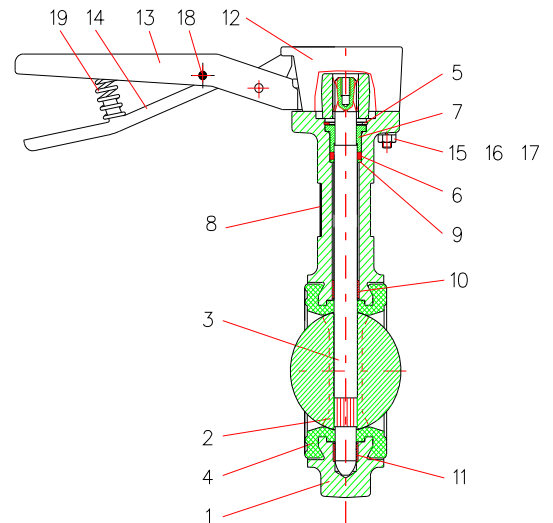


Size	DN mm	A	B	C	D	E	F	M	N	WEIGHT Lbs		Bolt Requirement	
										Wafer Type	Lug type	# Bolts	Size/UNC thread
2"	50	2.44	6.77	1.69	7.87	4.80	5.00	.12	.91	7.5	8.8	4	5/8-11X 1½
2 ½"	65	2.75	7.13	1.81	7.87	5.39	5.51	.35	1.77	8.4	11.1	4	5/8-11X1¼
3"	80	3.50	7.36	1.81	7.87	4.96	7.71	.33	1.81	8.8	12.2	4	5/8-11 X1¼
4"	100	4.17	8.31	2.05	11.42	5.98	8.19	1.10	3.31	12.8	18.5	8	5/8-11 X1¼
5"	125	4.72	8.90	2.20	11.42	7.17	9.53	1.30	4.37	17.2	21.7	8	3/4-10X2
6"	150	5.2	9.41	2.20	11.42	8.11	10.63	1.79	5.43	18.1	26	8	3/4-10X2
8"	200	6.46	11.54	2.36	17.72	10.43	13.19	2.71	7.54	36.6	50.8	8	3/4-9X2¼
10"	250	7.87	12.56	2.68	17.72	12.52	15.75	3.66	9.76	51.2	61.8	12	7/8-9X2¼
12"	300	9.37	13.50	3.07	17.72	14.61	17.95	4.37	11.54	68.4	93	12	7/8-9X2 ¾

*Note: Cast iron body- ductile iron disc - EPDM liner. See other specification sheets for different types of SYLAX™ butterfly valve actuators.

Material specification

Item	Qt	Description	Materials
1	1	Body	Cast Iron ASTM A126 Class GG25
2	1	Disc	Stainless Steel AISI 316 or Ductile Iron GGG40 Nylon
3	1	Shaft	Stainless Steel AISI 420, 316SS
4	1	Liner (Standard)	EPDM standard, Buna-N Optional and other material
5	1	Spring clip	Stainless steel
6	1	"O"-Ring	Nitrile
7	1	Bushing	Glass filled Acteal
8	1	Metal tag	Aluminium
9	1	Safety bushing	SS 304 L
10	1	Upper guide bushing	PTFE on plated steel
11	1	Lower guide bushing	PTFE on plated steel
12	1	Cap	Cast Iron ASTM A126 Class B FG25
13	1	Hand lever	Cast Iron ASTM A126 Class B FG25
14	1	Lever	Cast Iron ASTM A126 Class B FG25
15	2	Cap screw	Plated steel, SHCS
16	2	Stop washer	Plated steel
17	2	Nut	Plated steel
18	1	Pin	Stainless steel
19	1	Spring	Stainless steel



Installation

