

Ball Check Valve

Ball Replacement



Flomatic Corporation

Models 408 & 408²
3" thru 14" / 75mm thru 350mm

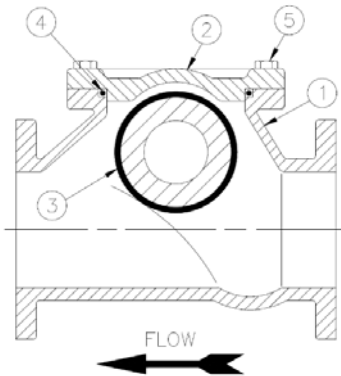


Disassembly Instructions:



IMPORTANT: The valve **MUST** be isolated, depressurized and drained before servicing the ball check valve.

1. Isolate, relieve pressure and drain the pipeline.
2. Remove the access cover (item #2) from the valve body by loosening bolts (item #5) slowly.
3. Remove the o-ring (item #4) from the valve. Make sure it is free of cuts or tears.
4. Remove the ball (item #3) from the valve following the instructions below.
5. Clean and inspect ball for damage, making sure it is free of wear or damage.
6. Examine the seat area for damage inside the valve.

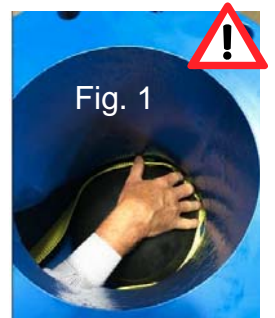


Item #	Qty	Description
1	1	Body
2	1	Cover
3	1	Ball
4	1	O'Ring
5	A/R	Bolt / Nut

Removing larger size balls from the valve body:

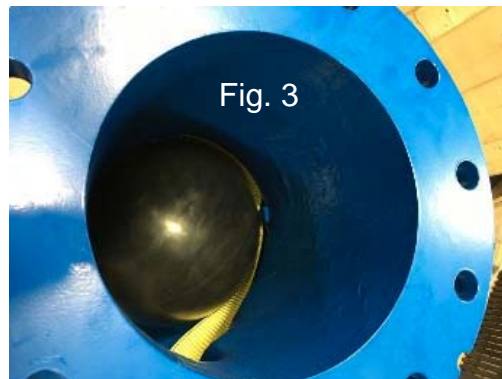
(Photos are taken using a 10" 408 valve)

1. After access cover (part #2) has been removed pull ball slightly to remove any vacuum on the valve inlet (Fig.1).



NOTE: Do not get any fingers caught between ball and valve body!

2. Carefully place a 2" wide tow strap (triple polyester or equal) behind ball in back and tuck-in on each side (Fig. 2 & 3).



Models 408 & 408²

3" thru 14" / 75mm thru 350mm

3. After securing the strap carefully pull with both hands, removing ball out through access cover see (Fig. 4 & 5).

**Replacement Parts:**

1. Have the valve model number and size available when calling. This information is located on the side of the valve body.
2. Have the complete list of any parts worn or damaged to be replaced.
3. Contact your local Flomatic Distributor to place your order. If you don't know your local distributor contact Flomatic Customer Services at 1-800-833-2040 or www.flomatic.com.

Reassembly Instructions:

Note: All parts and sealing surfaces should be cleaned before reassembly and any worn or damaged parts must be replaced.

1. Insert the ball (item #3) back into the valve body through access cover (item #1) being careful not to damage either part.
2. Place the o'ring (item #4) on the cover (item #2).
3. Place the cover (item #2) with o'ring (item #3) attached back onto the valve body (item #1), being careful not to displace the o'ring (item #3) as this will prevent proper sealing.
4. Fasten bolts / nuts in a cross over pattern making sure that you do not pinch the o'ring (item #3) and that it is evenly compressed.
5. Slowly return line pressure and inspect the valve for any cover or flange seal leaks. Tighten cover or flange bolts as necessary

1 Year Limited Warranty: Flomatic valves are guaranteed against defects of materials or workmanship when used for the services recommended. If in any recommended service, a defect develops due to material or workmanship, and the device is returned, freight prepaid, to Flomatic Corporation within 12 months from the date of purchase, it will be repaired or replaced free of charge. Flomatic Corporations' liability shall be limited to our agreement to repair or replace the valve only.