



FAILURE TO FOLLOW THESE INSTRUCTION WILL VOID ANY WARRANTY

Description: Check valves shall be of swing check flapper type and meet materials requirements of AWWA C508.

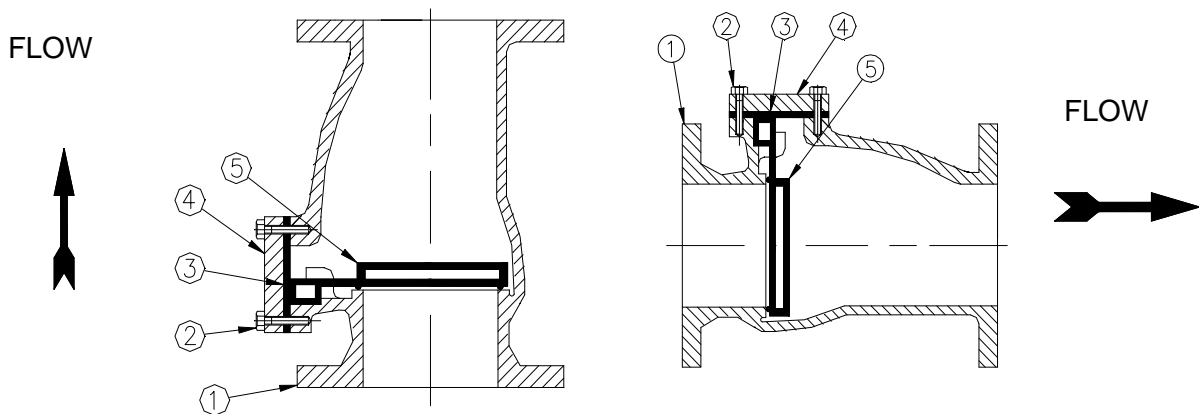
Operation: Model 78 is a unique flapper style Swing Check that permits flow in one direction only and is tight seated when the outlet pressure exceeds the inlet pressure. For velocities lower than 3 feet per second or exceeding 6 feet per second consult factory.

Shipment: Model 78 is shipped as a complete pre-tested valve. And should be inspected upon receipt for any shipping damage.

Installation:

⚠ Installation must be performed by qualified, licensed personnel only.

1. Check inside the valve to be sure that any materials used in shipping are removed. Check for any foreign material that should not be inside the valve and remove.
2. Check the operation of the flapper by pushing it away from the seating surface to be sure it moves freely.
3. Inspect the flange ends to be sure there are no raised burrs or edges that would cause them to not seal properly. Only flat faced companion flanges should be used for mating with the model 78.
4. Install the valve with the flow arrow in the direction of flow, making sure there is 3 diameters of straight pipe upstream.
5. If installed in a vertical position the direction of flow must be in an up-flow direction.
6. If installed in a horizontal position the valve must be installed with the cover oriented to the top.



ITEM	QTY	DESCRIPTION	MATERIAL	ASTM
1	1	Body (Epoxy Coated)	Cast Iron	A126
2	A/R	Cover Bolts	Stainless Steel	18-8
3	1	Cover Gasket	Buna-N	-----
4	1	Cover (Epoxy Coated)	Cast Iron	A126
5	1	Flapper	Rubber	-----

Flomatic Corp, 15 Pruyn's Island, Glens Falls, New York 12801
 Phone: 518-761-9797 Fax: 518-761-9798 www.flomatic.com

Maintenance: The Model 78 swing check does not require any regular maintenance. The valve can serviced without removal from the line.

Troubleshooting:

Problem:	Possible Cause:	Possible Solution:
Leakage at Cover or Flanges	Bolts have loosen	Tighten bolts.
	Gasket is damaged	Replace gasket. Full faced flange gaskets are recommended.
Valve leaks when closed	Flapper damaged	Inspect and clean flapper. Replace flapper if damaged.
	Seating surface damaged	Inspect and replace valve if body is damaged.
Valve does not open	Obstruction in valve	Disassemble valve to check for obstruction. Remove any debris or obstruction.

Service / Repair: Disassembly of the valve may be required due to debris obstructing the valves ability to operate correctly or for inspecting the valve for wear.

Should only be done by qualified, licensed personnel only.



NOTE: BEFORE ATTEMPTING TO DISASSEMBLE THE VALVE BE SURE PUMP IS LOCKED OFF AND SYSTEM PRESSURE IS RELIEVED AND ISOLATED FROM VALVE.

1. Loosen and remove cover bolts and remove the valve cover.
2. Remove the gasket and flapper from the valve.
3. Clean and inspect the flapper for damage and/or debris.
4. Examine the seat area for damage.
5. Make sure the all parts have been cleaned before reinstalling.
6. Reassemble valve with new or existing parts as needed.
7. Put valve back in operating service.
8. Inspect valve for any cover and end connection leaks.

PARTS AND SERVICE:

Parts and service are available from your local sales representative or dealer. Before contacting make note of the valve Model No and Size located on the valve nameplate.

1 Year Limited Warranty: Flomatic valves are guaranteed against defects of materials or workmanship when used for the services recommended. If in any recommended service, a defect develops due to material or workmanship, and the device is returned, freight prepaid, to Flomatic Corporation within 12 months from the date of purchase, it will be repaired or replaced free of charge. Flomatic Corporations' liability shall be limited to our agreement to repair or replace the valve only.