

**Operation:**

Flomatic Maxiair® valves are designed to release air from the system while it filling and allow air to enter the system during shut down or if there is a break in the line. When water enters the valve the float rises and closes the orifice. When the fluid level drops the float also drops away from the orifice and allows air to enter the system to prevent possible damage.

***NOTE: These valves are designed for use on clean water systems. Using them on systems other than water is not recommended. Consult factory for special applications.***

**Installation:**

***Installation must be performed by qualified, licensed personnel only.***

***Remove all plastic protection plugs that are covering inlet and outlet threads.***

The Flomatic Maxiair® should be installed at the high points in the system in a vertical position above the water main. If they are not installed directly over the water main, the inlet piping to the valve should always be angled upwards towards the valve with the valve being vertical. To facilitate servicing and repairs it is strongly recommended that an isolation valve be installed on the inlet side of the valve. Proper supports for the valve and piping are required as needed.

These valves should never be buried. In warm climate areas installing them above grade is acceptable as long as precautions are taken to keep people away from them and protect them from being tampered with (these precautions should be determined by the project engineer). Freeze protection is a necessity in colder areas. Manholes should be adequately sized to allow safe access to the valve by service personnel.

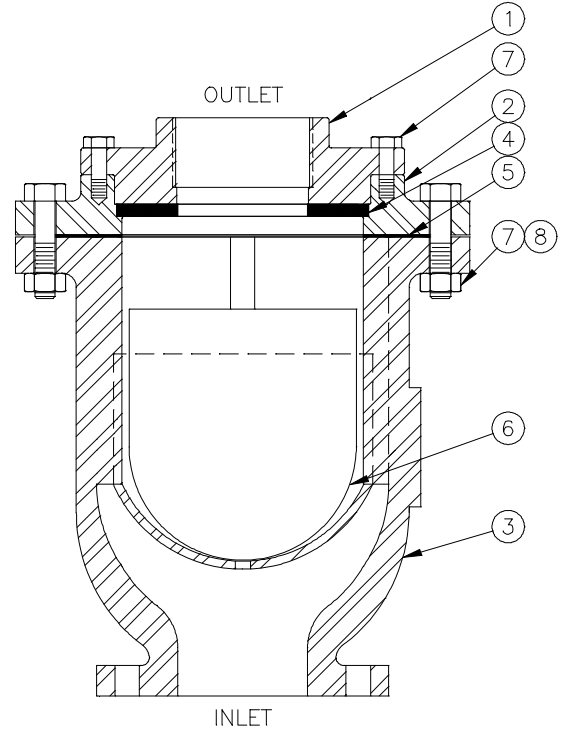
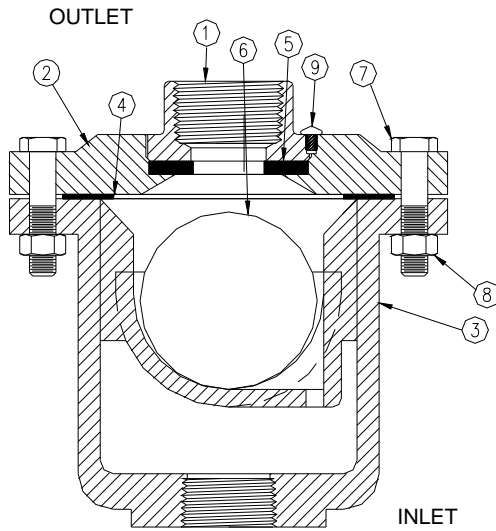
**Maintenance:**

The Maxiair® requires no scheduled maintenance, but should be inspected periodically for leakage in the orifice area on top. If the valve is found to be leaking maintenance is required.

**Disassembly / Reassembly:**

The Maxiair® can be disassembled without removing it from the line. No special tools are required and all work should be performed by qualified, licensed personnel.

1. Close isolation valve on the inlet of the valve or shut system down if there isn't a valve. Be sure system pressure is relieved.
2. Remove bolts (#7) and lift off flange (#2) off.
3. Examine float (#6) for damage. Replace if there is any wear or damage.
4. Examine seat area (underside of cover) for wear or damage to the rubber seat (#5).
5. If the rubber seat is damaged, you will need to remove the top (#1) by first removing the interference pin (#9) and then unscrew the top. Remove and replace the rubber seat and then reassemble the top flange assembly.
6. Clean the flange surfaces, use new flange gasket (#4), install float in valve and reinstall top flange assembly.
7. Put valve back in service and check for leaks.



Item	Description
1	Top
2	Flange
3	Body
4	Gasket
5	Seat
6	Float
7	Bolt
8	Nut
9	Interference Pin

Trouble Shooting Guide	
Problem:	Possible Solutions:
Leaks when closed	1. Inspect seat for wear or damage and replace if needed. 2. If valve is more the 5 years old replace seat. 3. Inspect the float for damage and replace if needed. If float is damaged contact factory to review possible sizing or position problems.
Leaking at inlet connection	Tighten valve connection. If valve still leaks remove valve from system and re-attach with new Teflon tape or liquid Teflon.
Leaking around the cover	Tighten bolts

Information needed to order repair parts:

- Valve Model Number
- Valve Size
- Valve working Pressure

**Limited One Year Warranty:** Flomatic valves are guaranteed against defects of material or workmanship when used for the services recommended. If, in any recommended service a defect develops due to material or workmanship, and the device is returned, freight prepaid, to Flomatic Corporation within 12 months from date of purchase, it will be repaired or replaced free of charge. Flomatic Corporations' liability shall be limited to our agreement to repair or replacement of valve only.