

Operation:

The Flomatic Sewair-Mini® valves are designed to expel accumulating air from sewage main while the system is under pressure. As the air accumulates, it displaces the water within the valve causing the float to drop and the air to vent through the orifice at the top of the valve. As the air is expelled the float rises again closing the orifice vent. This action will continue to repeat as long as air continues to accumulate.

NOTE: Valve is not for fuel service.

Installation:

Installation must be performed by qualified, licensed personnel only.

Remove all plastic protection plugs that are covering inlet and outlet threads.

The Flomatic Sewair-Mini® should be installed at the system high points of the main in a vertical position **ONLY** above the main in order to function properly. Installation of these valves off to the side of the main is fine as long as the inlet piping is always upward to the valve from the top of the main and the valve is vertical. Isolation valves need to be installed on the inlet to allow for servicing and general maintenance.

While installing these valves in manholes, be sure to allow enough room for service personnel to be able to get at the valve safely. Also, adequate venting should be available to discharge the venting air and keep the manhole from becoming pressurized. When the valve closes, especially during startup they sometimes discharge some fluid from the top. A proper drain system should be considered. In colder climates protection from freezing is required.

Maintenance:

WARNING: Always wear safety glasses when examining the seat/orifice area of the valve. Any unexpected release of fluid could cause injury.

There are no special tools required.

The Sewair-Mini® should be inspected regularly for leakage in the seat/orifice area on top of the valve. If the seat fails to seal, water and debris will fill the valve body to a much higher level than normal. Accumulated debris could interfere with the proper movement of the float allowing the valve to leak. If the valve is fitted with the optional back-flushing attachment, back-flushing the valve may correct the problem without removing the valve from the system (note: see back-flushing procedure). If it is not equipped with the back-flushing option, shut the isolation valve on the inlet and loosen one of the plugs on the side of the valve to relieve any potential pressure. Remove the valve from the main and try washing it out with a hose. Remember; always handle the valve with care. Examine the orifice area on the top of the valve for any obvious damage. Re-install the valve on the main and open isolation valve placing the valve back in service. If it still leaks you will need to close the isolation valve and remove the top cover to inspect the valve internally. You can remove the complete valve from the system or remove the top cover while the valve is installed.

Examine all parts for wear or defects. Replace needed parts and be sure everything is clean before re-installing the top cover.

Backflushing Procedure:

The purpose of the back-flushing procedure is to prevent the build up of solids and scum from sewage water in the valve body. To maintain proper valve function, this should be done periodically. Frequency needed could vary from system to system.

Valves supplied with the back-flushing attachment will have a shutoff valve on the inlet and two (2) blow-off valves located on the side of the main valve. A hose with quick disconnect fittings for attaching the hose to the blow-off valves is also part of the assembly.

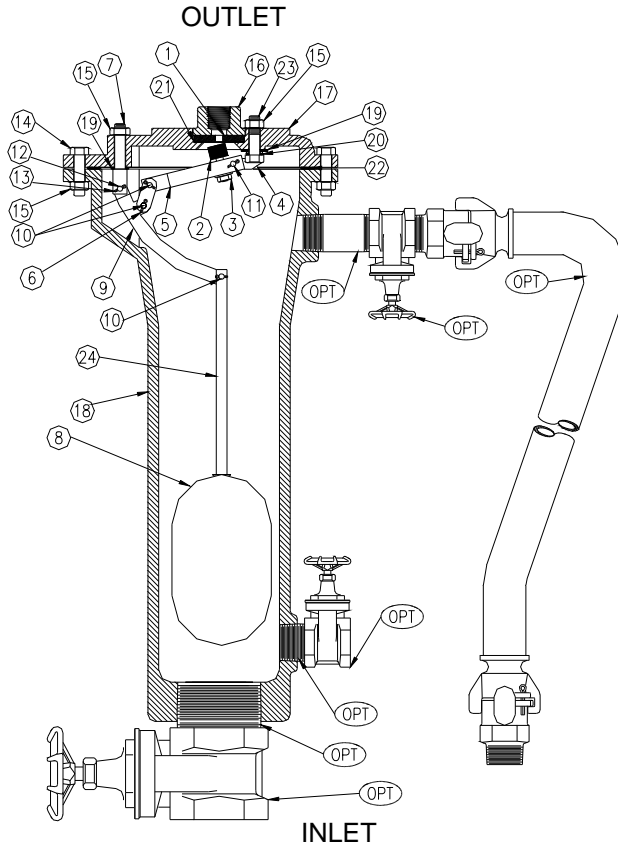
A clean water source is needed for flushing the valve. A portable tank or tank truck fitted with a pump that can supply 30-90 psi through a 1" hose should provide an adequate water supply to clean the valve. (Note: The water supply for flushing cannot be a direct connection to a potable water source.) In some instances it may be necessary to return the flushed water to another tank for disposal at a waste water treatment plant, local regulations should be followed.

Close the inlet valve on the bottom of the main valve and attach the water source hose to the top blow-off valve on the side of the valve. Open the bottom blow-off valve (use caution as this will release system pressure from within the valve) and then open the top blow-off valve allowing the flush water to pass through the valve. Observe the flushed water until it appears that the solids have been washed out of the valve. Close the top blow-off valve first and disconnect the hose. This allows the remaining water to drain out of the valve body. Close the bottom blow-off valve and then slowly open the inlet valve placing the unit back in service. Check for leaks.

Repairs:

Before attempting to take the valve apart, first be sure that it is isolated from system pressure and system pressure is relieved.

The seat may be inspected and replaced by removing the threaded top (part #16). If the seat seems to be defective, replace it and return the valve to service. If the valve still leaks through the seat, you will need to isolate the valve from the system again and remove the top flange. Examine the internal operating linkage for excessive wear or damage. Replace whatever is found to be defective.



ITEM	DESCRIPTION	MATERIAL
1	Seat	PVC
2	Valve Plunger	Buna-n
3	Nut	Stainless Steel
4	Valve Fulcrum	Stainless Steel
5	Valve Lever	Stainless Steel
6	Link	Stainless Steel
7	Ball Fulcrum	Stainless Steel
8	Float	Stainless Steel
9	Ball Lever	Stainless Steel
10	Bearing Pin	Stainless Steel
11	Bearing Pin	Stainless Steel
12	Bearing Pin	Stainless Steel
13	Cotter Pin	Stainless Steel
14	Bolt	Steel
15	Nut	Steel
16	Top	Cast Iron
17	Flange	Cast Iron
18	Body	Cast Iron
19	Fulcrum Washer	Fibre
20	Fulcrum Washer	Fibre
21	Seat Gasket	Fibre
22	Flange Gasket	Armstrong
23	Bolt	Stainless Steel
24	Float Rod	Stainless Steel

Flomatic Corp, 15 Pruy'n's Island, Glens Falls, New York 12801
 Phone: 518-761-9797 Fax: 518-761-9798 www.flomatic.com

Trouble Shooting Guide	
Problem:	Possible Solutions:
Leaking at inlet connection	Tighten valve connection. If valve still leaks remove valve from system and re-attach with new Teflon tape or liquid Teflon.
Leaking around the cover	Tighten bolts to 10-20 ft/lbs
Leaks when closed	Backflush valve to remove debris. If valves still leaks disassemble valve, inspect and replace used or wore parts.
Orifice not venting air	Make sure the operating pressure is not exceeded. Backflush valve to remove debris.

Information needed to order repair parts:

Valve Model Number

Valve Size

Valve working Pressure

Limited One Year Warranty: Flomatic valves are guaranteed against defects of material or workmanship when used for the services recommended. If, in any recommended service a defect develops due to material or workmanship, and the device is returned, freight prepaid, to Flomatic Corporation within 12 months from date of purchase, it will be repaired or replaced free of charge. Flomatic Corporations' liability shall be limited to our agreement to repair or replacement of valve only.