



Operation:

Flomatic 895 Split Disc® check valves are normally installed downstream of a pump. Upon pump shut down the torsion spring closes the discs before the water reverses flow. This will prevent flow reversal slam, which helps to eliminate water hammer and system surges associated with valve closure. On start-up, the water forces the discs open and allows water to pass thru the valve. The only moving parts are the discs and spring, which are guided in the valve body by the hinge pin and stop pin to prevent the disc from slamming together.

Installation:

Installation must be performed by qualified, licensed personnel only. Remove all packing materials from the valve, this includes anything that keeps the valve from being damaged during shipping.

The Flomatic 895 Split Disc® check valve can be installed vertically (flow up only) or horizontally.
NOTE: When installing the horizontally it MUST be installed with the disc hinge pin (4) and stop pin (5) in the vertical position (see diagram on next page). The valve must be installed with the flow arrow on the tag pointing in the direction of flow when the system is in operation. Three diameters of straight pipe upstream of the valve are recommended to prevent turbulent flow thru the valve, which will cause vibration and wear. Valves must be mounted between ANSI B16.5 flat face flanges with 1/16 min thickness ring gaskets. Centering the valve properly is important to prevent damage to the valve and/or leakage. Never lift the valve by the discs. Hand tighten, then torque the bolts using the cross-over flange bolt tightening method. This will load the bolts evenly and help eliminate concentrated stresses. When using in series with a butterfly valve it must be installed at **least** one pipe diameter downstream of the Split Disc® due to the fact that the disc extend beyond the valve body.

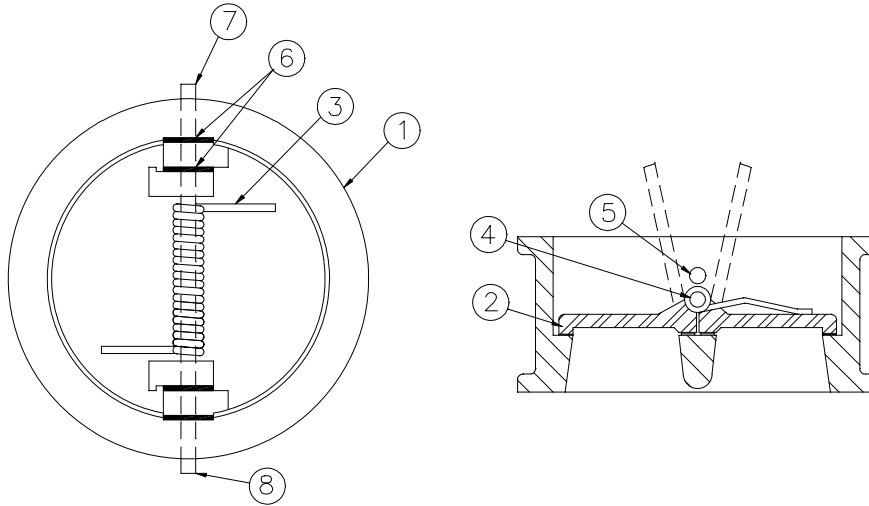
Valve Size (in)	Bolt Diameter (in)	Bolt Torque (ft/lbs)	Valve Size (in)	Bolt Diameter (in)	Bolt Torque (ft/lbs)
2	5/8	25-75	10	7/8	60-180
2.5	5/8	25-75	12	7/8	65-200
3	5/8	25-75	14	1	80-250
4	3/4	25-75	16	1	90-300
5	3/4	40-120	18	1-1/8	100-350
6	3/4	40-120	20	1-1/8	120-450
8	3/4	50-150	24	1-1/4	150-500

Maintenance:

The Flomatic 895 Spilt Disc® check valve should be inspected yearly for damage or leakage by a qualified and licensed person only. Leakage can be checked for by listening for noise when the pump is shut down. If there is visible damage or leakage to the valve or internal leakage sounds isolate the valve, relieve the pressure, drain the water from the line and remove the valve. If the resilient seat is damaged the valve must be replaced.

Disassembly / Reassembly:

The Flomatic 895 Spilt Disc® check valve can be disassembled by removing the hinge pin retainer (7). Next drive out the disc hinge pin (4) with a small rod bar while holding the torsion spring (3) down to keep it in place. Lift the discs (2) and bearings (6) from the valve. Inspect the disc (2) the pins (4&5), bearings (6) and valve body for signs of wear or damage. Replace parts as needed. If the valve seat is damaged the valve must be replaced as this will cause leakage.



Before reassembling the valve make sure all parts are cleaned and free of dents, bends and debris. Make sure the valve is sitting flat with the resilient seating surface facing up. Place the discs (2) (seating surface down) in the valve, while aligning the disc lugs with the hinge pin (4) holes. Insert the hinge pin (4) into the valve then place the half of the disc bearings (6) between the valve body (1) and discs (2). Slide the Hinge pin (4) thru the disc bearings (6) and the discs (2). Place the torsion spring (3) between the discs (2) and push the hinge pin (4) thru the torsion spring (3) and the other side of discs (2). Insert the rest of the disc bearings (6) between the discs (2) and valve body (1). Finish pushing the hinge pin (4) thru until it stops against the stop pin retainer (8). Place the hinge pin retainer (7) back in the valve body (1) and tighten.

Trouble Shooting Guide	
Problem:	Possible Solutions:
Valve chatters or vibrates	Make sure the velocity is at least 4 feet per second. Noise that sounds like rocks in the line can be cavitation from high velocities or low downstream pressure. Make sure there is 3 diameters of straight pipe upstream of valve.
Valve leaks	If the seat ring is lifted above the flange face – the mating flange and gasket are not seated correctly. Re-align the valve and gaskets and tighten the bolts according to the torque chart. Also make sure that the correct size gaskets are being used.
Water does not flow thru valve	Check to make sure the arrow is in the direction of flow. Verify that the downstream isolation valve is open and there is no blockage preventing flow.
Valve Slams	Remove the valve from the line and check the spring. Replace worn or damaged spring. If necessary consult the factory about purchasing a heavier spring for your conditions.

Information needed to order repair parts:

Valve Model Number

Valve Size

Valve working Pressure

Limited One Year Warranty: Flomatic valves are guaranteed against defects of material or workmanship when used for the services recommended. If, in any recommended service a defect develops due to material or workmanship, and the device is returned, freight prepaid, to Flomatic Corporation within 12 months from date of purchase, it will be repaired or replaced free of charge. Flomatic Corporations' liability shall be limited to our agreement to repair or replacement of valve only.