

# Control Valve

# NPT

# Model C000AA



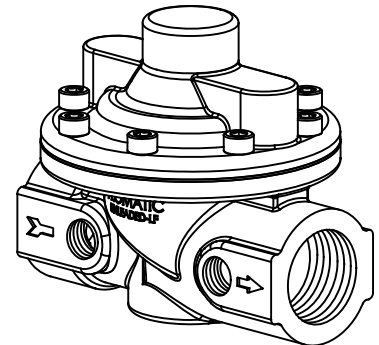
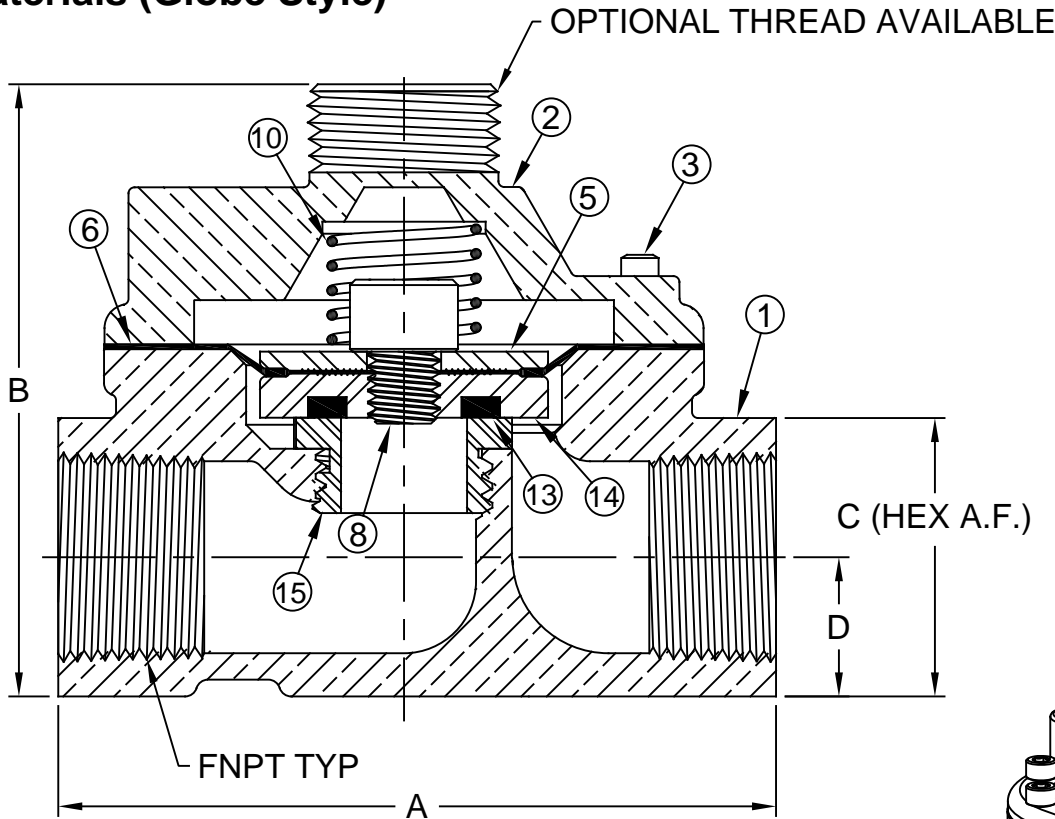
Flomatic Corporation

Sizes 1/2" & 3/4" / 15 mm & 20 mm

LEAD FREE  
NSF/ANSI 61



## Materials (Globe Style)



Max Temp 180°F (82°C)  
Max Pressure 400psi (28bar)

Item #	Qty	Description	Material	ASTM	Item #	Qty	Description	Material	ASTM
1	1	Body w/Tag & Plug	Bronze	C89833	8	1	Stem (Bolt)	Stainless Steel	302
2	1	Cover	Bronze	C89833	10	1	Spring**	Stainless Steel**	302
3	8	Cover Bolt	Stainless Steel	304	13	1	Seat Seal*	EPDM*	98206
5	1	Diaphragm Plate	Stainless Steel	304	14	1	Seat Plate	Stainless Steel	304
6	1	Diaphragm*	EPDM/Nylon*	07859	15	1	Seat Ring	Stainless Steel	304

## Dimensions (FNPT)

\*OPTIONAL BUNA-N OR VITON AVAILABLE  
\*\* 3/4" VALVE USES A 316SS SPRING

Size (NPT)		Part #	A		B		C (Hex A.F.)		D		Weight	
inch	mm		inch	mm	inch	mm	inch	mm	inch	mm	lbs	kg
1/2	15	8371699SM	3-3/4	95	3-3/16	81	1-1/2	38	23/32	18	2.4	1.09
3/4	20	8371600SM	3-3/4	95	3-3/16	81	1-1/2	38	23/32	18	2.4	1.09

Flomatic Corporation can accept no responsibility for possible errors in catalogues, brochures and other printed material. Flomatic Corporation reserves the right to alter its products without notices. This also applies to product already agreed. All trademarks in this material are property of the respective companies. All rights reserved. ©2020 Flomatic Corporation. The drawings & information on this drawing sheet are the sole & exclusive property of Flomatic Corporation. Any reproduction, distribution, display or use of these drawings or information in whole or in part without written authorization of Flomatic Corporation is strictly prohibited. www.flomatic.com



November 7, 2017  
Dwg No: S75NPT\_SM Rev A (1/20)

FLOMATIC CORPORATION  
GLENS FALLS, N.Y. 12801  
PHONE (518) 761-9797  
FAX (518) 761-9798