

Control Valve

Model PRV



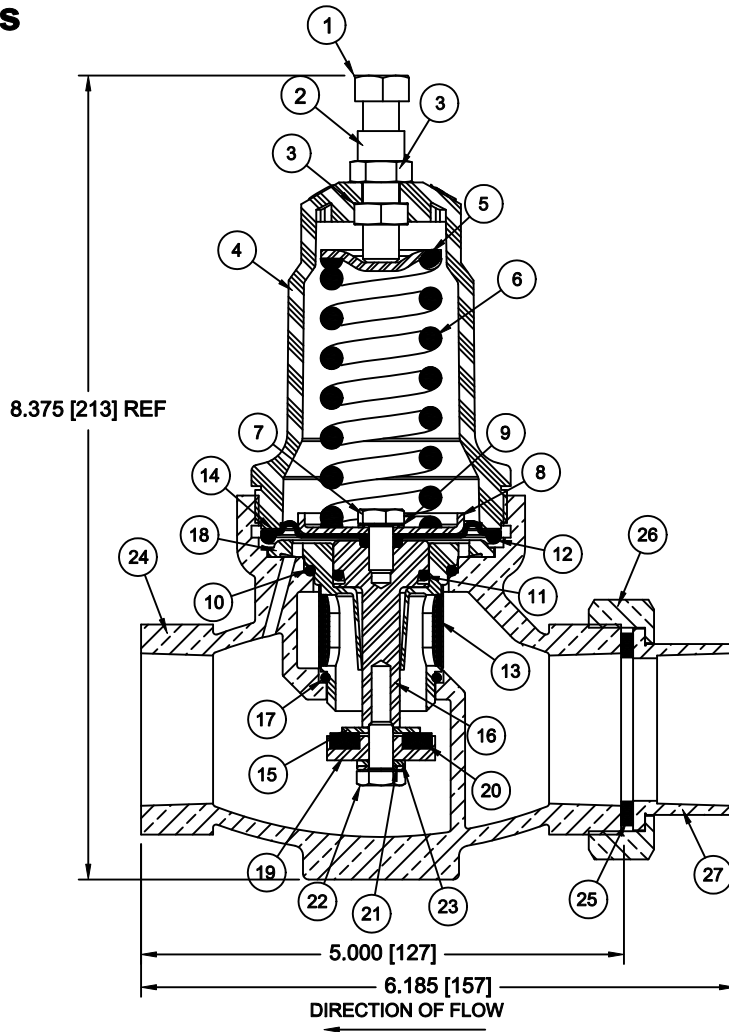
Flomatic Corporation

Sizes 1-1/4" / 32 mm

Direct Acting Pressure Reducing Valve (C150E)



Materials



Max Temp 180°F (82°C)
Max Pressure 400psi (28bar)
Weight 5.3 lbs (2.40 kg)

Item #	Qty	Description	Material	Item #	Qty	Description	Material
1	1	Adjusting Screw	Steel	15	1	Large Washer	Stainless Steel 18-8
2	1	Spacer	ABS	16	1	Stem	Stainless Steel 304
3	2	Jam Nut	Steel	17	1	O-Ring	Buna-n
4	1	Cover	Noryl	18	1	Cartridge	Delrin
5	1	Spring Button	Steel	19	1	Disc Holder	Stainless Steel 304
6	1	Spring	Steel	20	1	Disc	EPDM
7	1	HHCS	Stainless Steel 18-8	21	1	Plastic Washer	Delrin
8	1	Diaphragm Plate	Steel	22	1	HHCS	Stainless Steel 18-8
9	1	Tooth Lock Washer	Steel	23	1	Small Washer	Stainless Steel 18-8
10	1	O'Ring	Buna-n	24	1	Body	Bronze C89833
11	1	O'Ring	Buna-n	25	1	Union Disc	EPDM
12	1	Diaphragm	Nitrile/Nylon	26	1	Union Nut	Bronze C31400
13	1	Screen (20 mesh)	Stainless Steel 304	27	1	Union	Bronze C31400
14	1	Friction Ring	Brass C36000	Part Number C150002E 15-75 psi Part Number C150102E 15-150 psi			

Flomatic Corporation can accept no responsibility for possible errors in catalogues, brochures and other printed material. Flomatic Corporation reserves the right to alter its products without notices. This also applies to product already agreed. All trademarks in this material are property of the respective companies. All right reserved. ©2011 Flomatic Corporation. The drawings & information on this drawing sheet are the sole & exclusive property of Flomatic Corporation. Any reproduction, distribution, display or use of these drawings or information in whole or in part without written authorization of Flomatic Corporation is strictly prohibited.



January 15, 2007
Dwg No: SC150002E Rev: D (3/15)

FLOMATIC CORPORATION
GLENS FALLS, N.Y. 12801
PHONE (518) 761-9797
FAX (518) 761-9798