

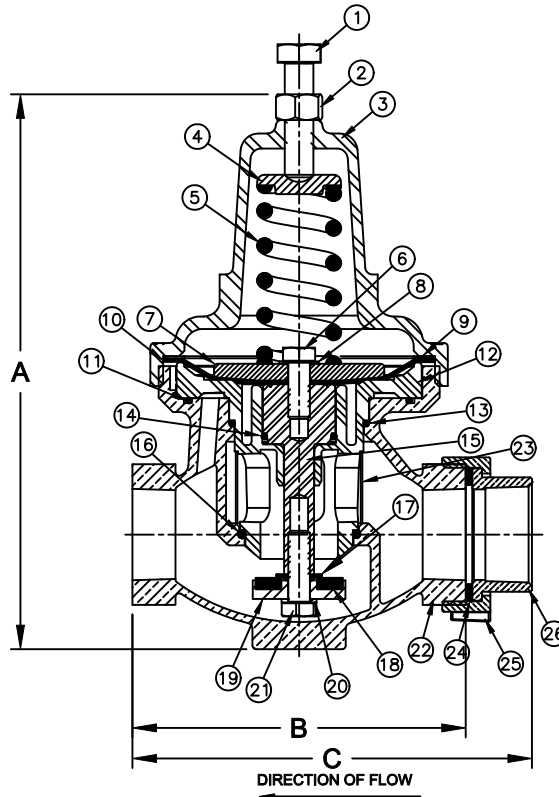
Control Valve

Model PRV



Sizes 1-1/2" & 2" / 40 mm & 50 mm
Direct Acting Pressure Reducing Valve (C150E)

Materials



Item #	Qty	Description	Material	Item #	Qty	Description	Material
1	1	Adjusting Screw	Steel	14	1	O-Ring	Buna-n
2	1	Jam Nut	Steel	15	1	Stem	Stainless Steel 304
3	1	Cover	Bronze C83600	16	1	O-Ring	Buna-n
4	1	Spring Button	DI 65-45-12	17	1	Large Washer	Stainless Steel 18-8
5	1	Spring	Steel	18	1	Disc	EPDM
6	1	HHCS	Stainless Steel 18-8	19	1	Disc Holder	Stainless Steel 304
7	1	Diaphragm Plate	DI 65-45-12	20	1	Plastic Washer	Delrin 500P
8	1	Tooth Lock Washer	Stainless Steel 18-8	21	1	HHCS	Stainless Steel 18-8
9	1	Friction Ring	Brass C36000	22	1	Body	Bronze C89833
10	1	Diaphragm	Nitrile/Nylon	23	1	Screen	Stainless Steel 304
11	1	O'Ring	Buna-n	24	1	Union End Disc	Buna-n
12	1	Cartridge	Delrin 500P	25	1	Union End Nut	Bronze C89833
13	1	O'Ring	Buna-n	26	1	Union End	Bronze C89833

Dimensions

Part Number C150003E/C150004E 15-75 psi
Part Number C150103E/C150104E 15-150 psi

Size		Part #	A		B		C		Weight	
Inch	mm		Inch	mm	Inch	mm	Inch	mm	lbs	kg
1-1/2	40	C150003E	9-15/16	252	5-13/16	148	7-5/64	180	14.5	6.6
2	50	C150004E	9-15/16	252	5-13/16	148	7-1/32	179	15.3	6.9

Working Pressure: 400 psi / 28 Bar

Flomatic Corporation can accept no responsibility for possible errors in catalogues, brochures and other printed material. Flomatic Corporation reserves the right to alter its products without notices. This also applies to product already agreed. All trademarks in this material are property of the respective companies. All right reserved. ©2011 Flomatic Corporation. The drawings & information on this drawing sheet are the sole & exclusive property of Flomatic Corporation. Any reproduction, distribution, display or use of these drawings or information in whole or in part without written authorization of Flomatic Corporation is strictly prohibited.



October 15, 2004
Dwg No: C150003E Rev: C (7/13)

FLOMATIC CORPORATION
GLENS FALLS, N.Y. 12801
PHONE (518) 761-9797
FAX (518) 761-9798