

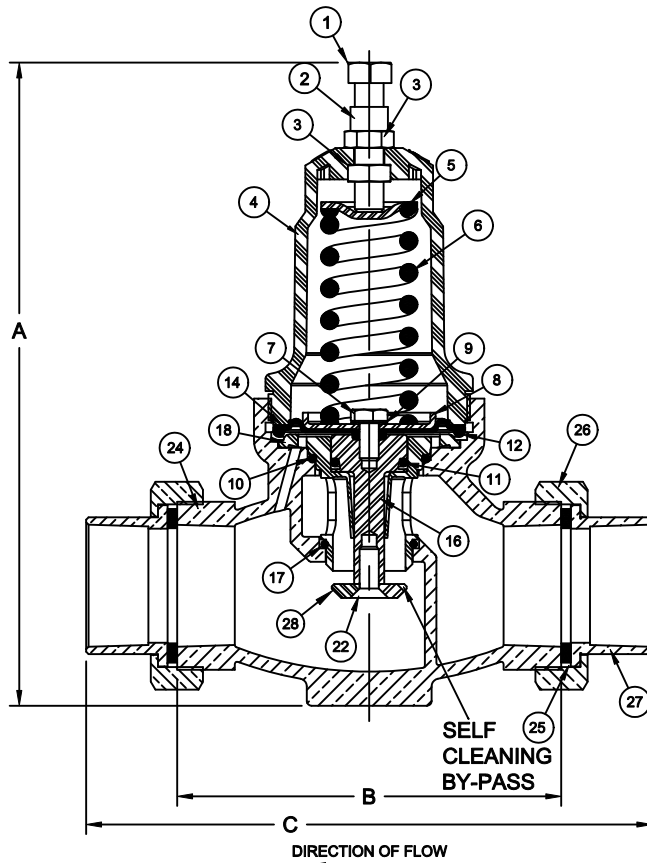
# Control Valve Cycle Gard® I Model C152E



Sizes 1-1/4" / 32 mm  
Direct Acting Pump Control



## Materials



| Item # | Qty | Description       | Material             | Item # | Qty | Description    | Material             |
|--------|-----|-------------------|----------------------|--------|-----|----------------|----------------------|
| 1      | 1   | Adjusting Screw   | Steel                | 12     | 1   | Diaphragm      | Nitrile/Nylon        |
| 2      | 1   | Spacer            | ABS                  | 14     | 1   | Friction Ring  | Brass C36000         |
| 3      | 2   | Jam Nut           | Steel                | 16     | 1   | Stem           | Stainless Steel 304  |
| 4      | 1   | Cover             | Noryl                | 17     | 1   | O-Ring         | Buna-n               |
| 5      | 1   | Spring Button     | Steel                | 18     | 1   | Cartridge      | Delrin               |
| 6      | 1   | Spring            | Steel                | 22     | 1   | Screw          | Stainless Steel 18-8 |
| 7      | 1   | HHCS              | Stainless Steel 18-8 | 24     | 1   | Body           | Bronze C89833        |
| 8      | 1   | Diaphragm Plate   | Steel                | 25     | 2   | Union Disc     | EPDM                 |
| 9      | 1   | Tooth Lock Washer | Steel                | 26     | 2   | Union Nut      | Bronze C31400        |
| 10     | 1   | O'Ring            | Buna-n               | 27     | 2   | Union          | Bronze C31400        |
| 11     | 1   | O'Ring            | Buna-n               | 28     | 1   | Disc (Slotted) | Stainless Steel 303  |

Part Number C152002E 15-75 psi  
Part Number C152102E 15-150 psi

Max Temp: 180°F (82°C)  
Max Inlet Pressure 400psi (27bar)

## Dimensions

| Size  |    | Part #   | A     |     | B    |     | C     |     | Weight |     |
|-------|----|----------|-------|-----|------|-----|-------|-----|--------|-----|
| Inch  | mm |          | Inch  | mm  | Inch | mm  | Inch  | mm  | lbs    | kg  |
| 1-1/4 | 32 | C152002E | 8-3/8 | 213 | 5    | 127 | 7-3/8 | 187 | 5.3    | 2.4 |

Flomatic Corporation can accept no responsibility for possible errors in catalogues, brochures and other printed material. Flomatic Corporation reserves the right to alter its products without notices. This also applies to product already agreed. All trademarks in this material are property of the respective companies. All right reserved. ©2011 Flomatic Corporation. The drawings & information on this drawing sheet are the sole & exclusive property of Flomatic Corporation. Any reproduction, distribution, display or use of these drawings or information in whole or in part without written authorization of Flomatic Corporation is strictly prohibited.



January 15, 2007  
Dwg No: SC152002E Rev: G (7/13)

FLOMATIC CORPORATION  
GLENS FALLS, N.Y. 12801  
PHONE (518) 761-9797  
FAX (518) 761-9798