

Control Valve

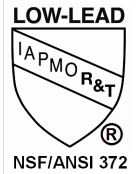
Cycle Gard® I

Model C152E

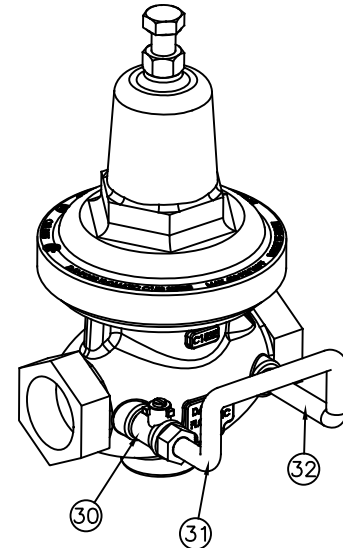
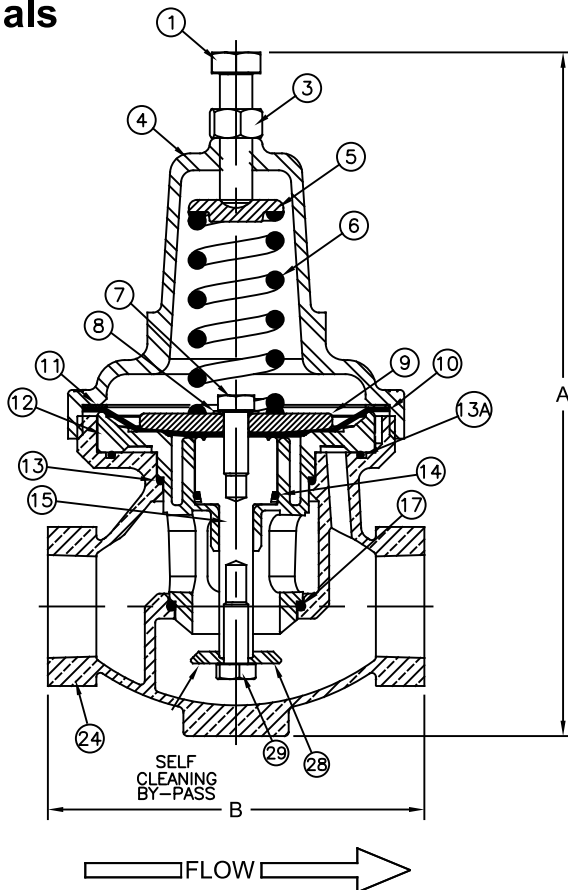


Flomatic Corporation

Sizes 1-1/4" / 32 mm
Direct Acting Pump Control



Materials



Max Temp 180°F (82°C)
Max Pressure 400psi (28bar)

Item #	Qty	Description	Material	Item #	Qty	Description	Material
1	1	Bolt	Steel	13	1	O-Ring (cartridge)	Buna-N
3	2	Jam Nut	Steel	13A	1	O-Ring (cover)	Buna-N
4	1	Cover	Bronze C83600	14	1	O-Ring (stem)	Buna-N
5	1	Spring Button	DI 65-45-12	15	1	Stem	Stainless Steel 304
6	1	Spring	Music Wire	17	1	O-Ring (seat)	Buna-N
7	1	Bolt	Stainless Steel 18-8	24	1	Body	Bronze C89833
8	1	Tooth Lock Washer	Stainless Steel 18-8	28	1	Disc (slotted)	Stainless Steel 304
9	1	Diaphragm Plate	DI 65-45-12	29	1	Screw	Stainless Steel 18-8
10	1	Diaphragm	Nitrile/Nylon	30	1	Testcock	Bronze C89833
11	1	Friction Ring	Brass C36000	31	1	Elbow	Brass
12	1	Cartridge	Delrin®	32	1	Tubing - Bypass	Copper

Dimensions

Part Number C152002EHF 15-75 psi
Part Number C152102EHF 15-150 psi

Size		Part #	A		B		Weight	
inch	mm		inch	mm	inch	mm	lbs	kg
1-1/4	32	C152002EHF	9-23/32	247	5-13/16	148	11.5	5.2

Flomatic Corporation can accept no responsibility for possible errors in catalogues, brochures and other printed material. Flomatic Corporation reserves the right to alter its products without notices. This also applies to product already agreed. All trademarks in this material are property of the respective companies. All right reserved. ©2011 Flomatic Corporation. The drawings & information on this drawing sheet are the sole & exclusive property of Flomatic Corporation. Any reproduction, distribution, display or use of these drawings or information in whole or in part without written authorization of Flomatic Corporation is strictly prohibited.



July 18, 2007
Dwg No: SC152002EHF Rev: C (7/13)

FLOMATIC CORPORATION
GLENS FALLS, N.Y. 12801
PHONE (518) 761-9797
FAX (518) 761-9798