

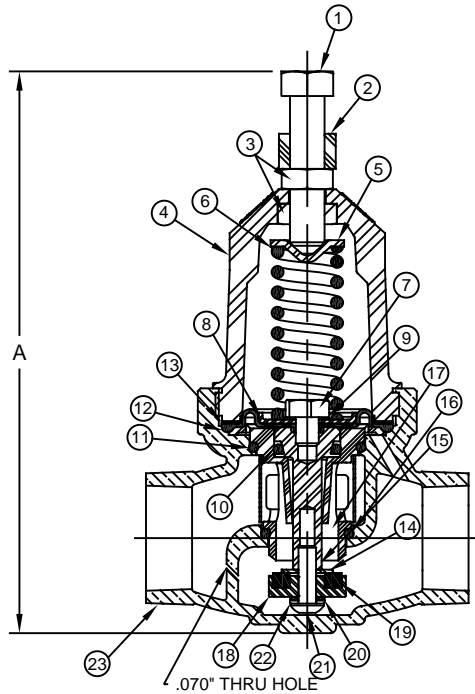
Control Valve Cycle Gard® I

Model C152ET **FLOMATIC®**

Flomatic Corporation

Sizes 3/4" / 20 mm
Direct Acting Pump Control

Materials



DIRECTION OF FLOW
→

Item #	Qty	Description	Material	Item #	Qty	Description	Material	
1	1	Adjusting Screw	Steel	13	1	Friction Ring	Brass C36000	
2	1	Spacer	ABS	14	1	Large Washer	Stainless Steel 18-8	
3	2	Jam Nut	Steel	15	1	Stem	Stainless Steel 304	
4	1	Cover	Noryl	16	1	O-Ring	Buna-n	
5	1	Spring Button	Steel	17	1	Cartridge	Delrin	
6	1	Spring	Steel	18	1	Disc Holder	Stainless Steel 304	
7	1	HHCS	Stainless Steel 18-8	19	1	Disc	EPDM	
8	1	Diaphragm Plate	Steel	20	1	Plastic Washer	Delrin	
9	1	Tooth Lock Washer	Steel	21	1	HHCS	Stainless Steel 18-8	
10	1	O'Ring	Buna-n	22	1	Small Washer	Stainless Steel 18-8	
11	1	O'Ring	Buna-n	23	1	Body	Bronze C89833	
12	1	Diaphragm	Nitrile/Nylon					

Part Number C152000ET 15-75 psi
Part Number C152100ET 15-150 psi

Dimensions

Max Temp: 180°F (82°C)
Max Inlet Pressure 400psi (27bar)

Size		Part #	A		B		Weight	
inch	mm		inch	mm	inch	mm	lbs	kg
3/4	20	C152000ET	6-3/32	155	3-1/2	89	1.9	.86

Flomatic Corporation can accept no responsibility for possible errors in catalogues, brochures and other printed material. Flomatic Corporation reserves the right to alter its products without notices. This also applies to product already agreed. All trademarks in this material are property of the respective companies. All right reserved. ©2018 Flomatic Corporation. The drawings & information on this drawing sheet are the sole & exclusive property of Flomatic Corporation. Any reproduction, distribution, display or use of these drawings or information in whole or in part without written authorization of Flomatic Corporation is strictly prohibited. www.flomatic.com