

# Control Valve

# Cycle Gard® IV

# Model CB152E



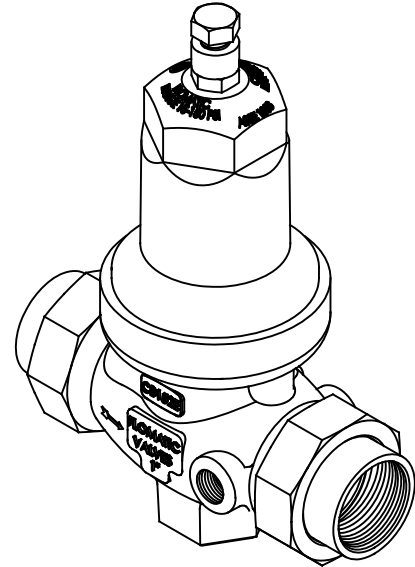
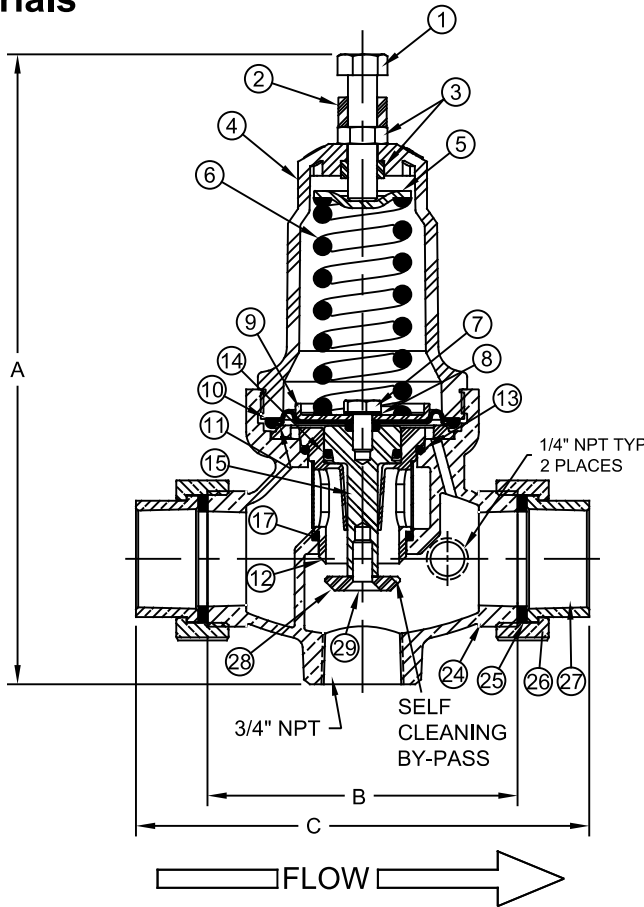
Flomatic Corporation

Sizes 1" / 25 mm  
Direct Acting Pump Control with Bosses

LEAD FREE  
NSF/ANSI 61



## Materials



Max Temp 180°F (82°C)  
Max Pressure 400psi (28bar)

Item #	Qty	Description	Material	Item #	Qty	Description	Material
1	1	Bolt	Steel	12	1	Cartridge	Delrin®
2	1	Spacer	ABS	13	1	O-Ring (cartridge)	Buna-N
3	2	Jam Nut	Stainless Steel 18-8	14	1	O-Ring (stem)	Buna-N
4	1	Cover	Noryl®	15	1	Stem	Stainless Steel 304
5	1	Spring Button	Stainless Steel 304	17	1	O-Ring (seat)	Buna-N
6	1	Spring	Music Wire	24	1	Body	Bronze C89833
7	1	Bolt	Stainless Steel 304	25	2	Union Disc	EPDM
8	1	Tooth Lock Washer	Stainless Steel 304	26	2	Union Nut	Bronze C37700
9	1	Diaphragm Plate	Stainless Steel 18-8	27	2	Union	Bronze C87800
10	1	Diaphragm	Nitrile/Nylon	28	1	Disc (slotted)	Stainless Steel 304
11	1	Friction Ring	Brass C36000	29	1	Bolt	Stainless Steel 18-8

## Dimensions

Part Number CB152001E 15-75 psi  
Part Number CB152101E 15-150 psi

Size		Part #	A		B		C		Weight	
inch	mm		inch	mm	inch	mm	inch	mm	lbs	kg
1	25	CB152001E	8-1/8	206	4	102	5-27/32	149	4.0	1.8

Flomatic Corporation can accept no responsibility for possible errors in catalogues, brochures and other printed material. Flomatic Corporation reserves the right to alter its products without notices. This also applies to product already agreed. All trademarks in this material are property of the respective companies. All rights reserved. ©2021 Flomatic Corporation. The drawings & information on this drawing sheet are the sole & exclusive property of Flomatic Corporation. Any reproduction, distribution, display or use of these drawings or information in whole or in part without written authorization of Flomatic Corporation is strictly prohibited. [www.flomatic.com](http://www.flomatic.com)



November 17, 2005  
Dwg No: SCB152001E Rev: K (2/21)

FLOMATIC CORPORATION  
GLENS FALLS, N.Y. 12801  
PHONE (518) 761-9797  
FAX (518) 761-9798