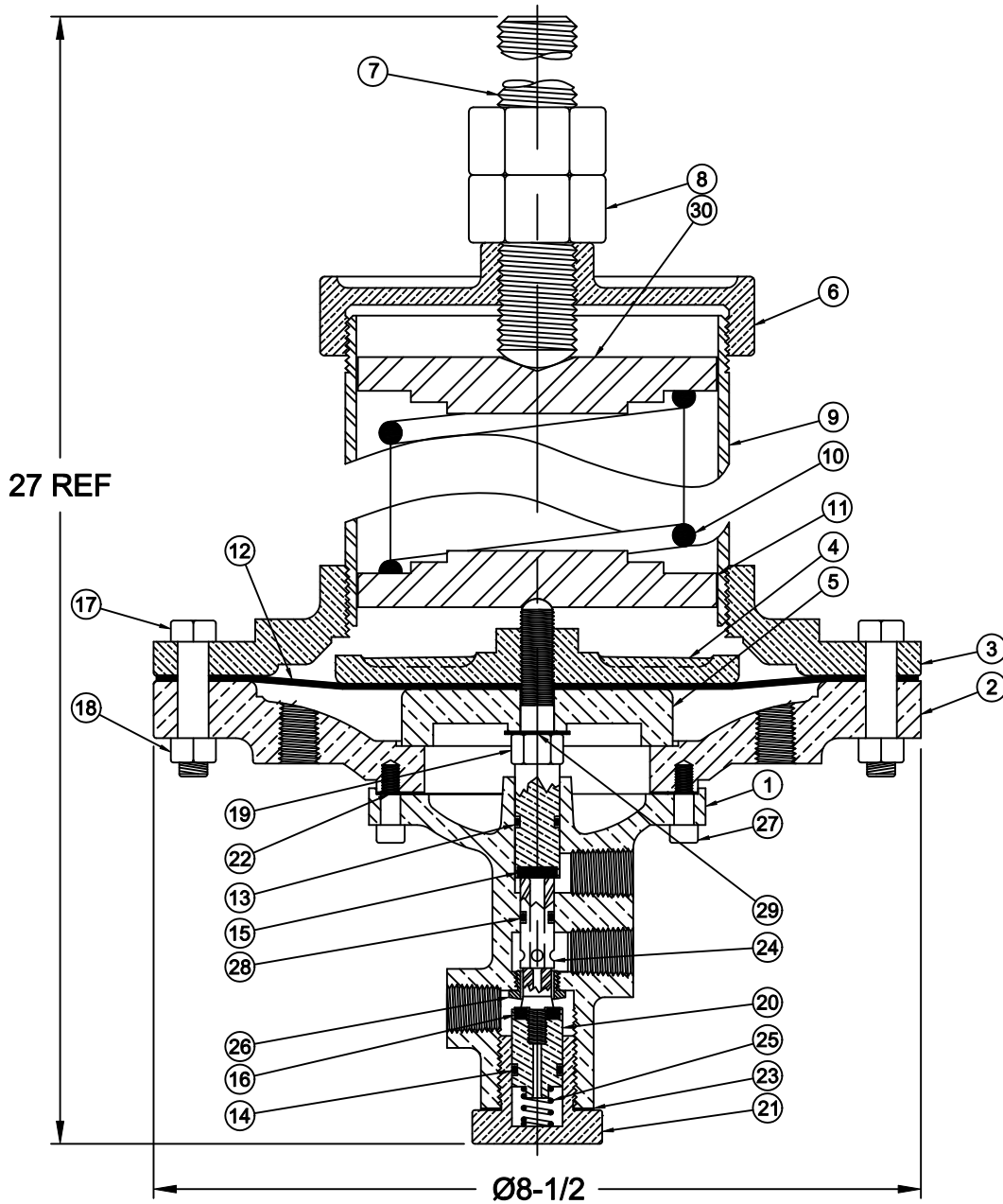


Range 70' Thru 200' / 21 m Thru 61 m

2-Way

Dimensions



Flomatic Corporation can accept no responsibility for possible errors in catalogues, brochures and other printed material. Flomatic Corporation reserves the right to alter its products without notices. This also applies to product already agreed. All trademarks in this material are property of the respective companies. All right reserved. ©2011 Flomatic Corporation. The drawings & information on this drawing sheet are the sole & exclusive property of Flomatic Corporation. Any reproduction, distribution, display or use of these drawings or information in whole or in part without written authorization of Flomatic Corporation is strictly prohibited.

Materials

Item #	Qty	Description	Material	ASTM
1	1	Body	Bronze	B584
2	1	Bottom Cover	Bronze	Oshalloy-1
3	1	Top Cover	Unleaded Bronze	C89833
4	1	Upper Diaphragm Plate	Unleaded Bronze	C89833
5	1	Lower Diaphragm Plate	Bronze	B140
6	1	Top Cap	Bronze	Oshalloy-1
7	1	Rod	Zinc Plated Steel	-----
8	1	Nut	Zinc Plated Steel	-----
9	1	Chamber	Painted Steel	-----
10	1	Spring	Chrome Vanadium	A231
11	1	Lower Spring Button	CRS	-----
12	1	Diaphragm	Nitrile/Nylon	-----
13	1	O'Ring	Buna-n	-----
14	1	O'Ring	Buna-n	-----
15	1	Upper Stem Disc	Buna-n	-----
16	1	Lower Stem Disc	Buna-n	-----
17	1	Bolt	Stainless Steel	316
18	1	Nut	Stainless Steel	18-8
19	1	Top Stem	Bronze	B140
20	1	Lower Stem-Button	Bronze	B140
21	1	Bottom Cap	Bronze	B140
22	1	Body Gasket	Vellumoid Fibre	-----
23	1	Bottom Cap Gasket	Vellumoid Fibre	-----
24	1	Lower Stem-Top	Stainless Steel	303
25	1	Lower Spring	Stainless Steel	302
26	1	Seat Ring	Stainless Steel	303
27	1	SHCS	Stainless Steel	18-8
28	1	O'Ring	Buna-n	-----
29	1	Upper Stem Gasket	Vellumoid Fibre	-----
30	1	Upper Spring Button	CRS	-----

Flomatic Corporation can accept no responsibility for possible errors in catalogues, brochures and other printed material. Flomatic Corporation reserves the right to alter its products without notices. This also applies to product already agreed. All trademarks in this material are property of the respective companies. All right reserved. ©2011 Flomatic Corporation. The drawings & information on this drawing sheet are the sole & exclusive property of Flomatic Corporation. Any reproduction, distribution, display or use of these drawings or information in whole or in part without written authorization of Flomatic Corporation is strictly prohibited.