

Control Valve

Accessory

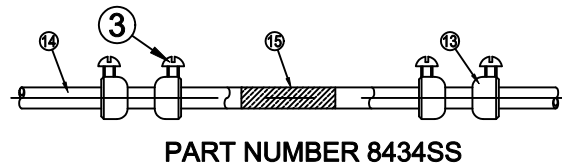
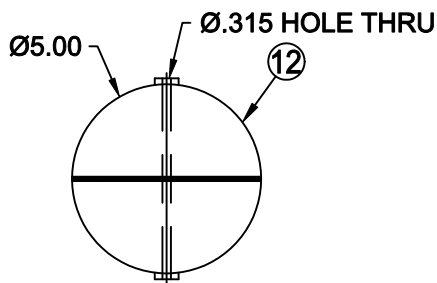
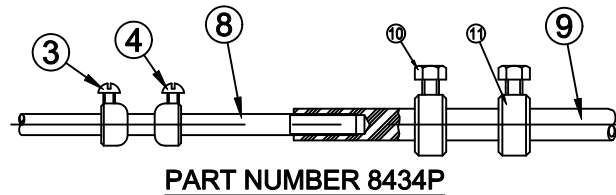
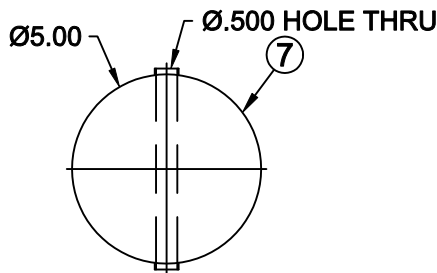
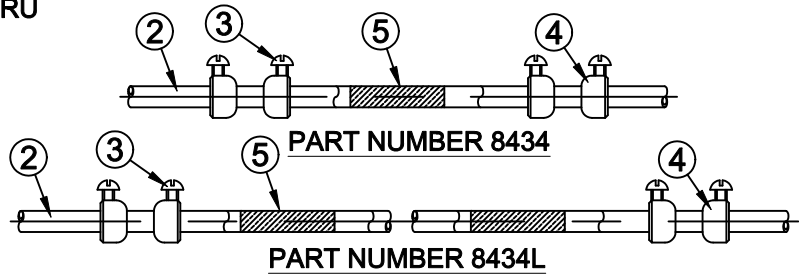
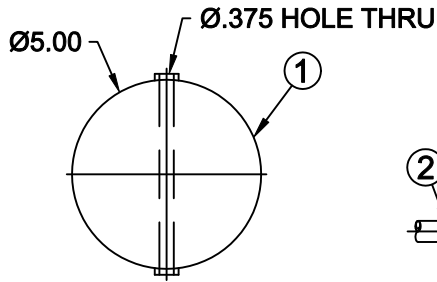
Level Control



Flomatic Corporation

Sizes 36" & 54" / 900 mm & 1400 mm
Series 8434

Material



Item #	Qty	Description	Material	Item #	Qty	Description	Material
Standard 36" Float Rod Assembly Part Number 8434				Optional 36" PVC Float Rod Assembly Part Number 8434P			
1	1	Float	Polystyrene	3	2	Round Head Machine Screw	-----
2	2	Float Rod	Brass	4	2	Stop	Brass
3	4	Round Head Machine Screw	-----	7	1	Float	PVC
4	4	Stop	Brass	8	1	Upper Float Rod	PVC
5	1	Stud	Brass	9	1	Lower Float Rod	PVC
NS	1	Counterweight (see dwg # S8434)	-----	10	2	Hex Head Cap Screw	-----
Optional 54" Float Road Assembly Part Number 8434L				11	2	Collar	-----
				NS	1	Counterweight (see dwg # S8434)	-----
				Optional 36" Stainless Steel Float Rod Assembly Part Number 8434SS			
1	1	Float	Polystyrene	3	4	Round Head Machine Screw	-----
2	3	Float Rod	Brass	12	1	Float	Stainless Steel
3	4	Round Head Machine Screw	-----	13	4	Stop	-----
4	4	Stop	Brass	14	2	Float Rod	Stainless Steel
5	2	Stud	Brass	15	1	Stud	Stainless Steel
NS	1	Counterweight (see dwg # S8434)	-----	NS	1	Counterweight (see dwg # S8434)	-----

Flomatic Corporation can accept no responsibility for possible errors in catalogues, brochures and other printed material. Flomatic Corporation reserves the right to alter its products without notices. This also applies to product already agreed. All trademarks in this material are property of the respective companies. All right reserved. ©2011 Flomatic Corporation. The drawings & information on this drawing sheet are the sole & exclusive property of Flomatic Corporation. Any reproduction, distribution, display or use of these drawings or information in whole or in part without written authorization of Flomatic Corporation is strictly prohibited.

Control Valve

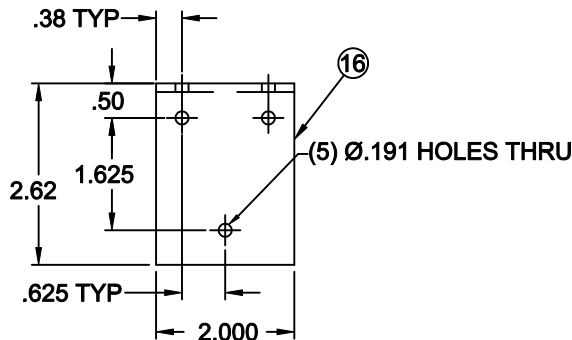
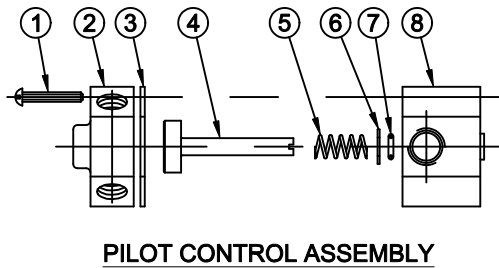
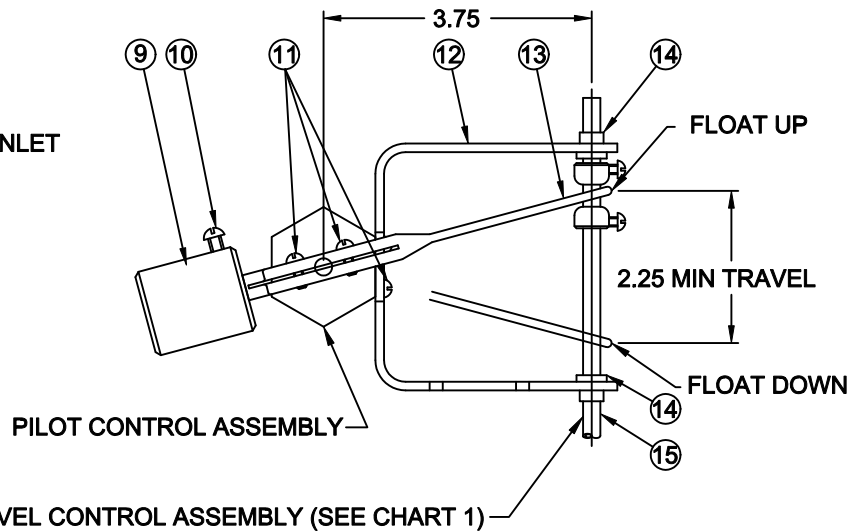
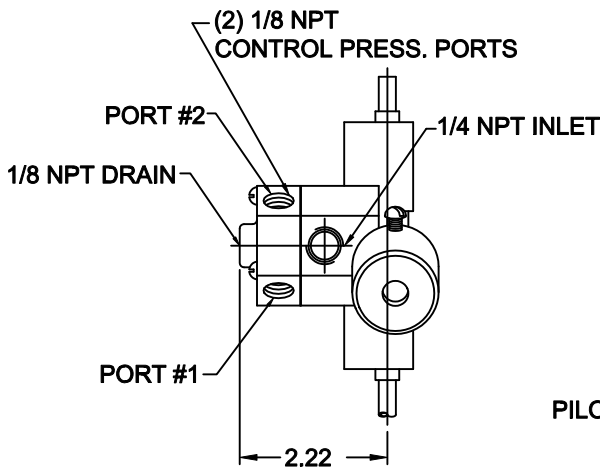
Accessory

Level Control **FLOMATIC**

Flomatic Corporation

Sizes 36" & 54" / 900 mm & 1400 mm
Series 8434

Part Description



Item #	Qty	Description
1	3	Round Head Machine Screw
2	1	Backplate
3	1	Backplate Gasket
4	1	Stemplate Assembly
5	1	Spring
6	1	Retainer Washer
7	1	O'Ring
8	1	Bonnet Assembly
9	1	Counterweight
10	1	Round Head Machine Screw
11	4	Round Head Machine Screw
12	1	Guide Bracket
13	1	Lever
14	2	Bushing
15	1	Float Rod Assembly (see dwg # S8434-1)
16	1	Mounting Bracket

Part Information

	PORT 1	PORT 2
FLOAT UP	PRESSURED	VENTED
FLOAT DOWN	VENTED	PRESSURED

COMPLETE PILOT/LEVEL CONTROL	PART #
36" POLYSTYRENE (STANDARD)	8434
54" POLYSTYRENE (OPTIONAL)	8434L
36" P.V.C. (OPTIONAL)	8434P
36" STAINLESS STEEL (OPTIONAL)	8434SS

Flomatic Corporation can accept no responsibility for possible errors in catalogues, brochures and other printed material. Flomatic Corporation reserves the right to alter its products without notices. This also applies to product already agreed. All trademarks in this material are property of the respective companies. All right reserved. ©2011 Flomatic Corporation. The drawings & information on this drawing sheet are the sole & exclusive property of Flomatic Corporation. Any reproduction, distribution, display or use of these drawings or information in whole or in part without written authorization of Flomatic Corporation is strictly prohibited.