

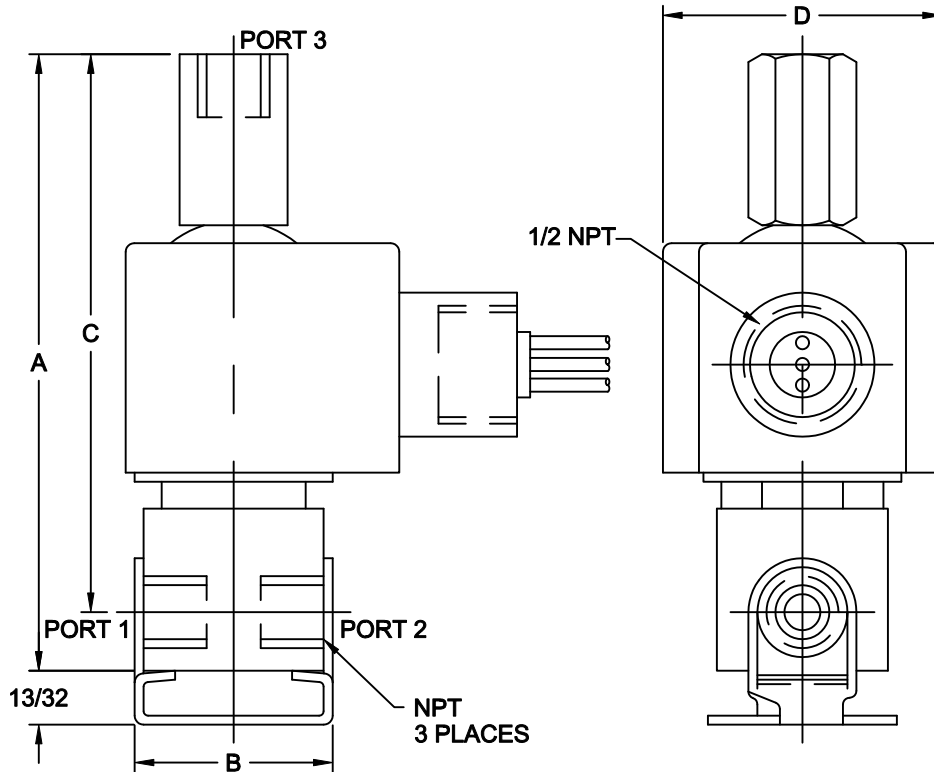
Control Valve Solenoid 3-Way Direct Acting



Flomatic Corporation

Sizes 1/4" / 8 mm

Material (Brass)



VALVE PARTS IN CONTACT WITH FLUIDS

- BODY - BRASS
- SEALS & DISCS - BUNA-N
- CORE GUIDE - ACETAL
- CORE TUBE - 305 S.S.
- CORE & PLUGNUT - 430F S.S.
- SPRINGS - 302 S.S.
- SHADING COIL - COPPER

- 120 VOLT AC
- WATT RATING:10.1
- CLASS OF COIL INSULATION:F
- 9042: NORMALLY CLOSED WHEN DE-ENERGIZED
- 8772 & 8972: NORMALLY OPEN WHEN DE-ENERGIZED

APPROVALS

- CSA CERTIFIED
- UL LISTED GENERAL PURPOSE VALVES

Dimensions

Size		Part #	Orifice		A		B		C		D	
Inch	mm		Inch	mm	Inch	mm	Inch	mm	Inch	mm	Inch	mm
1/4	8	9042	3/64	1.2	4-7/32	107	1-1/4	32	3-13/32	87	1-31/32	50
1/4	8	8772	3/32	2.4	4-7/32	107	1-1/4	32	3-13/32	87	1-31/32	50
1/4	8	8972	1/8	3.2	4-7/32	107	1-1/4	32	3-13/32	87	1-31/32	50

Flomatic Corporation can accept no responsibility for possible errors in catalogues, brochures and other printed material. Flomatic Corporation reserves the right to alter its products without notices. This also applies to product already agreed. All trademarks in this material are property of the respective companies. All right reserved. ©2011 Flomatic Corporation. The drawings & information on this drawing sheet are the sole & exclusive property of Flomatic Corporation. Any reproduction, distribution, display or use of these drawings or information in whole or in part without written authorization of Flomatic Corporation is strictly prohibited.



July 7, 2003
Dwg No: SASCO3 Rev A (6/11)

FLOMATIC CORPORATION
GLENS FALLS, N.Y. 12801
PHONE (518) 761-9797
FAX (518) 761-9798