

Control Valve Cycle Gard®

Model C153S6

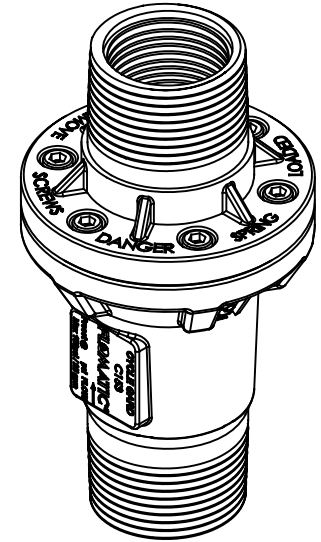
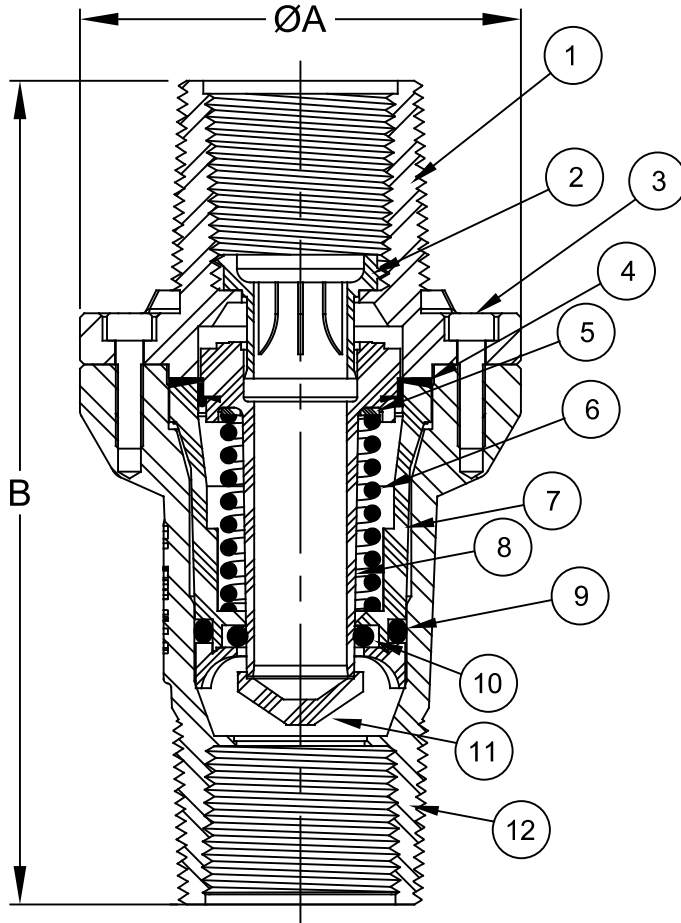


Flomatic Corporation

Size 1-1/4" X 1" / 32 mm X 25mm
1" / 25mm Internals



Materials



Max Temp 90°F (32°C)
Max Body Pressure 400psi (28bar)
Max Differential Pressure 150psi (10bar)

Item #	Qty	Description	Material	Item #	Qty	Description	Material
1	1	Cover	Stainless Steel 304	7	1	Cup	Thermoplastic Eng Grade
2	1	Seat	Thermoplastic Eng Grade	8	1	Stem	Thermoplastic Eng Grade
3	1	Screw	Stainless Steel 18-8	9	1	O-Ring (Cartridge)	Buna-N
4	1	Diaphragm	Buna-N	10	1	O-Ring (Seat)	Buna-N
5	1	Washer	Thermoplastic Eng Grade	11	1	Seat	Thermoplastic Eng Grade
6	1	Spring	Stainless Steel 302	12	1	Body	Stainless Steel 304

Dimensions (1-1/4" MNPT X 1" FNPT BOTH ENDS)

ANSI B1.20.1

Size		Part #	ØA		B		Pressure Setting		Weight	
inch	mm		inch	mm	inch	mm	psi	bar	lbs	kg
1	25	C153002S6A	3-1/16	78	5-3/4	146	40	2.8	3.9	1.8
1	25	C153002S6	3-1/16	78	5-3/4	146	50	3.5	3.9	1.8
1	25	C153002S6B	3-1/16	78	5-3/4	146	60	4.2	3.9	1.8

Flomatic Corporation can accept no responsibility for possible errors in catalogues, brochures and other printed material. Flomatic Corporation reserves the right to alter its products without notices. This also applies to product already agreed. All trademarks in this material are property of the respective companies. All rights reserved. ©2021 Flomatic Corporation. The drawings & information on this drawing sheet are the sole & exclusive property of Flomatic Corporation. Any reproduction, distribution, display or use of these drawings or information in whole or in part without written authorization of Flomatic Corporation is strictly prohibited. www.flomatic.com



October 21, 2014
Dwg No: SC153S Rev: E (2/21)

FLOMATIC CORPORATION
GLENS FALLS, N.Y. 12801
PHONE (518) 761-9797
FAX (518) 761-9798