

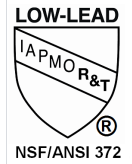
# Control Valve Cycle Gard®

# Model C153S6

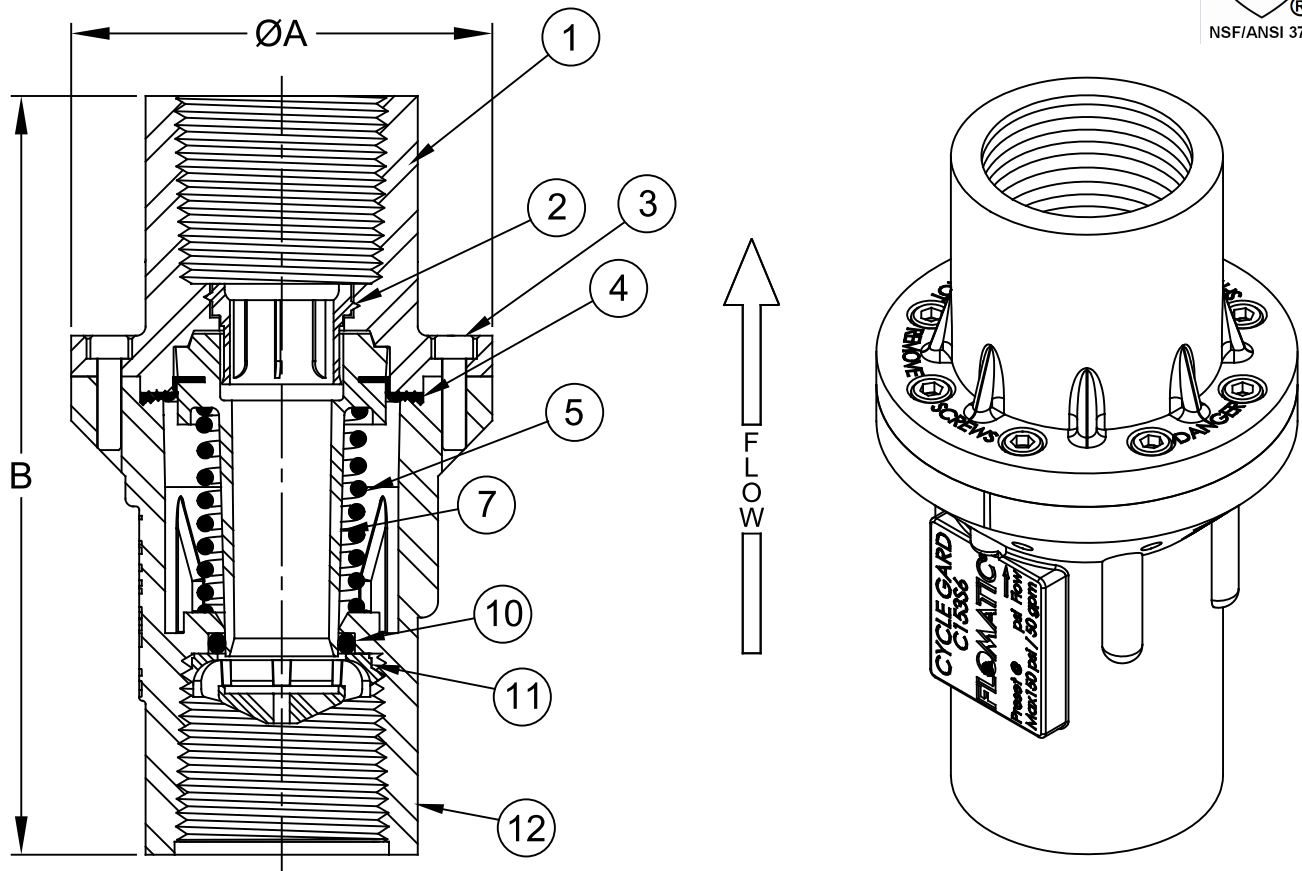


Flomatic Corporation

Sizes 1-1/4" / 32 mm



## Materials



Max Temp 90°F (32°C)  
 Max Body Pressure 400psi (28bar)  
 Max Differential Pressure 150psi (10bar)

Item #	Qty	Description	Material	Item #	Qty	Description	Material
1	1	Cover	Stainless Steel 304	7	1	Stem	Thermoplastic Eng Grade
2	1	Seat	Thermoplastic Eng Grade	10	1	O-Ring	Buna-N
3	1	Screw	Stainless Steel 18-8	11	1	Seat	Thermoplastic Eng Grade
4	1	Diaphragm	Buna-N	12	1	Body	Stainless Steel 304
5	1	Spring	Stainless Steel 302				

## Dimensions (1-1/4" FNPT BOTH ENDS)

ANSI B1.20.1

Size		Part #	ØA		B		Pressure Setting		Weight	
inch	mm		inch	mm	inch	mm	psi	bar	lbs	kg
1-1/4	32	C153003S6A	3-1/4	83	5-27/32	149	40	2.8	4.3	2.0
1-1/4	32	C153003S6	3-1/4	83	5-27/32	149	50	3.5	4.3	2.0
1-1/4	32	C153003S6B	3-1/4	83	5-27/32	149	60	4.2	4.3	2.0

Flomatic Corporation can accept no responsibility for possible errors in catalogues, brochures and other printed material. Flomatic Corporation reserves the right to alter its products without notices. This also applies to product already agreed. All trademarks in this material are property of the respective companies. All rights reserved. ©2021 Flomatic Corporation. The drawings & information on this drawing sheet are the sole & exclusive property of Flomatic Corporation. Any reproduction, distribution, display or use of these drawings or information in whole or in part without written authorization of Flomatic Corporation is strictly prohibited. [www.flomatic.com](http://www.flomatic.com)



September 4, 2015  
 Dwg No: SC153003S Rev: C (2/21)

FLOMATIC CORPORATION  
 GLENS FALLS, N.Y. 12801  
 PHONE (518) 761-9797  
 FAX (518) 761-9798