

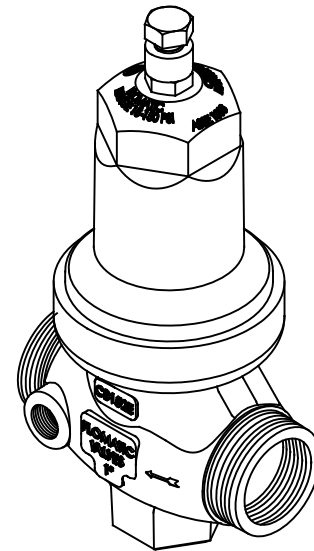
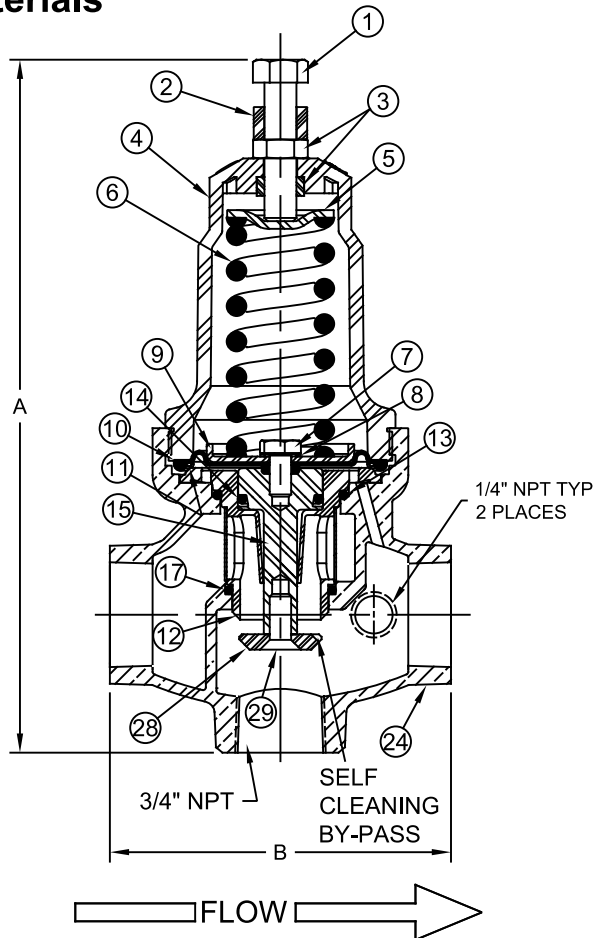
# Control Valve Cycle Gard® IV Model CB152ET FLOMATIC®

Sizes 1" / 25 mm  
Direct Acting Pump Control with Bosses

Flomatic Corporation



## Materials



Max Temp 180°F (82°C)  
Max Pressure 400psi (28bar)

Item #	Qty	Description	Material	Item #	Qty	Description	Material	
1	1	Bolt	Steel	11	1	Friction Ring	Brass C36000	
2	1	Spacer	ABS	12	1	Cartridge	Delrin®	
3	2	Jam Nut	Stainless Steel 18-8	13	1	O-Ring (cartridge)	Buna-N	
4	1	Cover	Noryl®	14	1	O-Ring (stem)	Buna-N	
5	1	Spring Button	Stainless Steel 304	15	1	Stem	Stainless Steel 304	
6	1	Spring	Music Wire	17	1	O-Ring (seat)	Buna-N	
7	1	Bolt	Stainless Steel 304	24	1	Body	Bronze C89833	
8	1	Tooth Lock Washer	Stainless Steel 304	28	1	Disc (slotted)	Stainless Steel 304	
9	1	Diaphragm Plate	Stainless Steel 18-8	29	1	Bolt	Stainless Steel 18-8	
10	1	Diaphragm	Nitrile/Nylon	Part Number CB152001E 15-75 psi Part Number CB152101E 15-150 psi				

## Dimensions (1-1/4" MNPT X 1" FNPT both ends)

ANSI B1.20.1

Size		Part #	A		B		C		Weight	
inch	mm		inch	mm	inch	mm	inch	mm	lbs	kg
1	25	CB152001ET	8-1/8	206	4	102	5-27/32	149	3.8	1.7

Flomatic Corporation can accept no responsibility for possible errors in catalogues, brochures and other printed material. Flomatic Corporation reserves the right to alter its products without notices. This also applies to product already agreed. All trademarks in this material are property of the respective companies. All rights reserved. ©2021 Flomatic Corporation. The drawings & information on this drawing sheet are the sole & exclusive property of Flomatic Corporation. Any reproduction, distribution, display or use of these drawings or information in whole or in part without written authorization of Flomatic Corporation is strictly prohibited. [www.flomatic.com](http://www.flomatic.com)