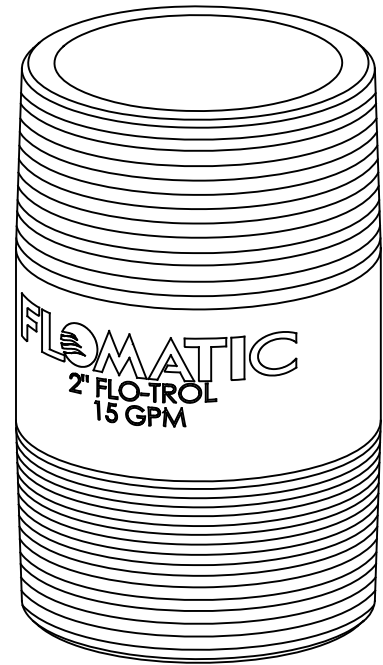
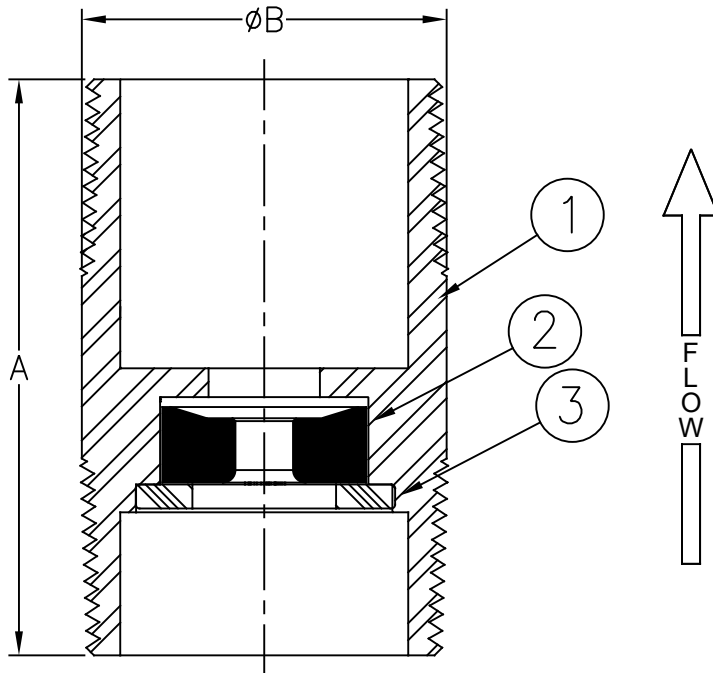




Materials



Max Temp 180°F (82°C)
 Max Pressure 125psi (8.6 bar)

Item #	Qty	Description	Material	ASTM
1	1	Body	Stainless Steel	304
2	1	Orifice	Buna-N	NSF 61
3	1	Retaining Ring	Celcon	M90

Dimensions (FNPT x FNPT)

ANSI B1.20.1

Size		Part #	Flow gpm	A		ØB		Weight	
inch	mm			inch	mm	inch	mm	lbs	kg
2	50	CDF9.0	9	3	76	2-3/8	60	1.32	.60
2	50	CDF10	10	3	76	2-3/8	60	1.32	.60
2	50	CDF12	12	3	76	2-3/8	60	1.32	.60
2	50	CDF15	15	3	76	2-3/8	60	1.32	.60
2	50	CDF17	17	3	76	2-3/8	60	1.32	.60
2	50	CDF20	20	3	76	2-3/8	60	1.32	.60
2	50	CDF25	25	3	76	2-3/8	60	1.32	.60
2	50	CDF30	30	3	76	2-3/8	60	1.32	.60

Flow gmp is +/- 15%

Flomatic Corporation can accept no responsibility for possible errors in catalogues, brochures and other printed material. Flomatic Corporation reserves the right to alter its products without notices. This also applies to product already agreed. All trademarks in this material are property of the respective companies. All rights reserved. ©2021 Flomatic Corporation. The drawings & information on this drawing sheet are the sole & exclusive property of Flomatic Corporation. Any reproduction, distribution, display or use of these drawings or information in whole or in part without written authorization of Flomatic Corporation is strictly prohibited. www.flomatic.com