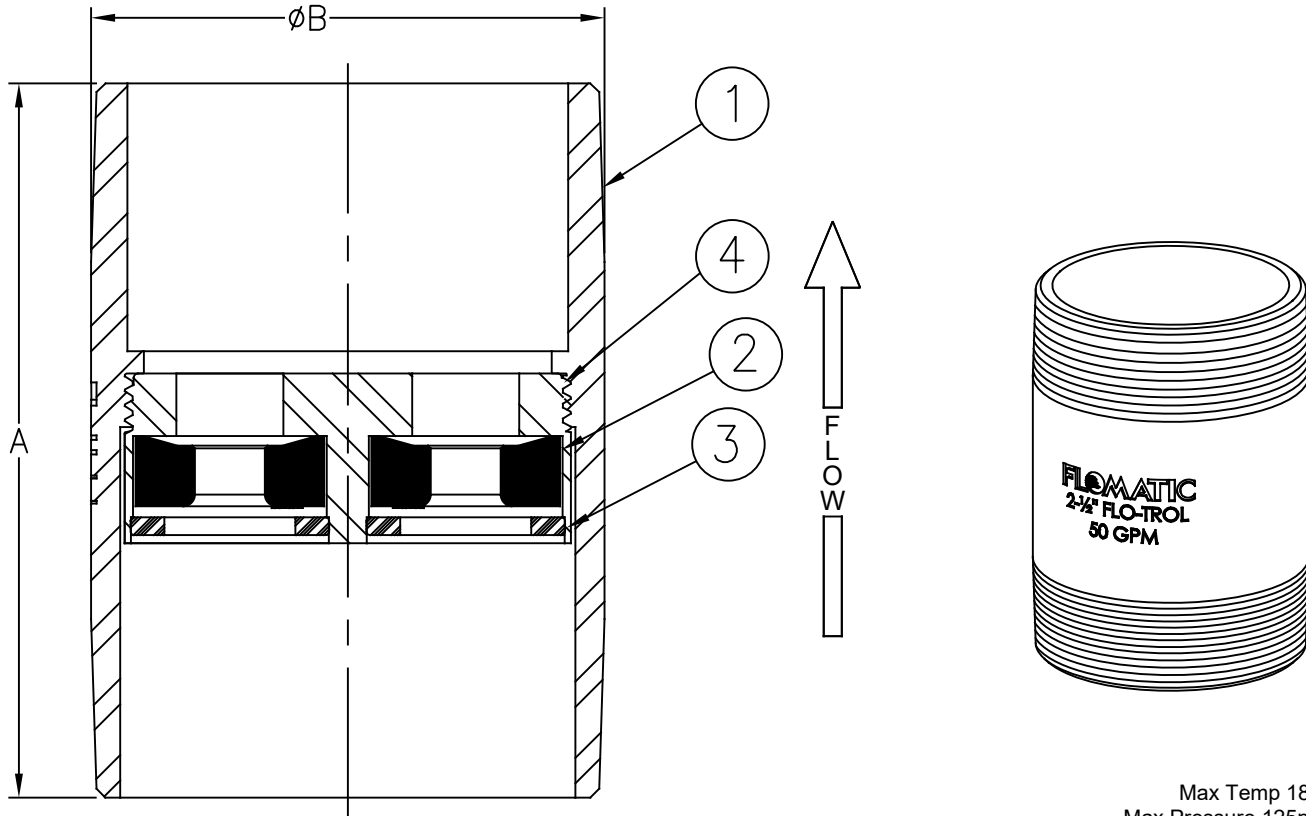




Materials



Max Temp 180°F (82°C)
Max Pressure 125psi (8.6 bar)

Item #	Qty	Description	Material	ASTM
1	1	Body	Stainless Steel	304
2	3	Orifice	Buna-N	NSF 61
3	3	Retaining Ring	Celcon	M90
4	1	Disc Holder	Stainless Steel	304

Dimensions (MNPT x MNPT)

ANSI B1.20.1

Size		Part #	Flow gpm	A		ØB		Weight		Size		Part #	Flow gpm	A		ØB		Weight	
inch	mm			inch	mm	inch	mm	lbs	kg	inch	mm			inch	mm	lbs	kg		
2-1/2	65	CDH30	30	4	100	2-7/8	73	2.50	1.13	2-1/2	65	CDH65	65	4	100	2-7/8	73	2.50	1.13
2-1/2	65	CDH35	35	4	100	2-7/8	73	2.50	1.13	2-1/2	65	CDH70	70	4	100	2-7/8	73	2.50	1.13
2-1/2	65	CDH40	40	4	100	2-7/8	73	2.50	1.13	2-1/2	65	CDH75	75	4	100	2-7/8	73	2.50	1.13
2-1/2	65	CDH45	45	4	100	2-7/8	73	2.50	1.13	2-1/2	65	CDH80	80	4	100	2-7/8	73	2.50	1.13
2-1/2	65	CDH50	50	4	100	2-7/8	73	2.50	1.13	2-1/2	65	CDH85	85	4	100	2-7/8	73	2.50	1.13
2-1/2	65	CDH55	55	4	100	2-7/8	73	2.50	1.13	2-1/2	65	CDH90	90	4	100	2-7/8	73	2.50	1.13
2-1/2	65	CDH60	60	4	100	2-7/8	73	2.50	1.13										

Flow gmp is +/- 15%

Flomatic Corporation can accept no responsibility for possible errors in catalogues, brochures and other printed material. Flomatic Corporation reserves the right to alter its products without notices. This also applies to product already agreed. All trademarks in this material are property of the respective companies. All rights reserved. ©2022 Flomatic Corporation. The drawings & information on this drawing sheet are the sole & exclusive property of Flomatic Corporation. Any reproduction, distribution, display or use of these drawings or information in whole or in part without written authorization of Flomatic Corporation is strictly prohibited. www.flomatic.com