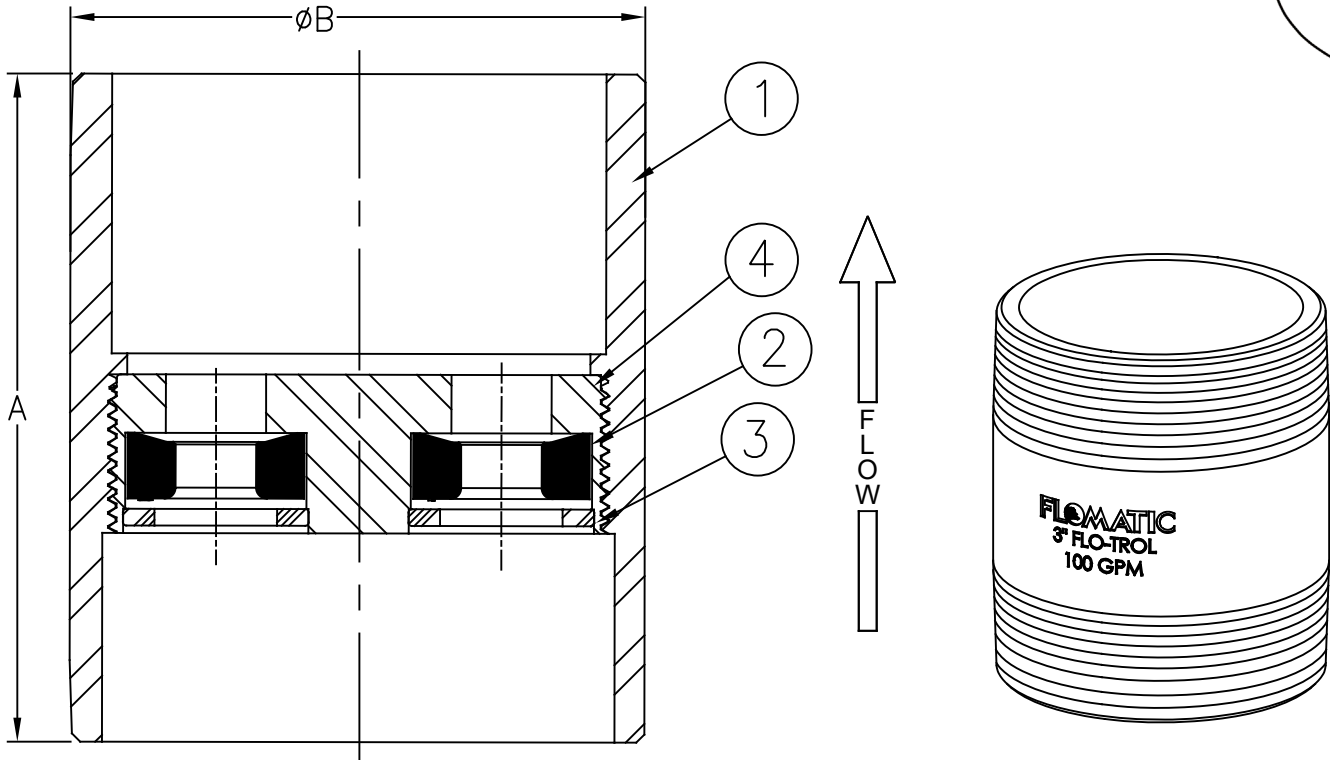




**Materials**



Max Temp 180°F (82°C)  
 Max Pressure 125psi (8.6 bar)

Item #	Qty	Description	Material	ASTM
1	1	Body	Stainless Steel	304
2	4	Orifice	Buna-N	NSF 61
3	4	Retaining Ring	Celcon	M90
4	1	Disc Holder	Stainless Steel	304

**Dimensions (MNPT x MNPT)**

**ANSI B1.20.1**

Size		Part #	Flow gpm	A		ØB		Weight		Size		Part #	Flow gpm	A		ØB		Weight	
inch	mm			inch	mm	inch	mm	lbs	kg	inch	mm			inch	mm	inch	mm	lbs	kg
3	80	CDK30	30	4	100	3-1/2	89	4.00	1.82	3	80	CDK80	80	4	100	3-1/2	89	4.00	1.82
3	80	CDK35	35	4	100	3-1/2	89	4.00	1.82	3	80	CDK85	85	4	100	3-1/2	89	4.00	1.82
3	80	CDK40	40	4	100	3-1/2	89	4.00	1.82	3	80	CDK90	90	4	100	3-1/2	89	4.00	1.82
3	80	CDK45	45	4	100	3-1/2	89	4.00	1.82	3	80	CDK95	95	4	100	3-1/2	89	4.00	1.82
3	80	CDK50	50	4	100	3-1/2	89	4.00	1.82	3	80	CDK100	100	4	100	3-1/2	89	4.00	1.82
3	80	CDK55	55	4	100	3-1/2	89	4.00	1.82	3	80	CDK105	105	4	100	3-1/2	89	4.00	1.82
3	80	CDK60	60	4	100	3-1/2	89	4.00	1.82	3	80	CDK110	110	4	100	3-1/2	89	4.00	1.82
3	80	CDK65	65	4	100	3-1/2	89	4.00	1.82	3	80	CDK115	115	4	100	3-1/2	89	4.00	1.82
3	80	CDK70	70	4	100	3-1/2	89	4.00	1.82	3	80	CDK120	120	4	100	3-1/2	89	4.00	1.82
3	80	CDK75	75	4	100	3-1/2	89	4.00	1.82										

Flow gmp is +/- 15%

Flomatic Corporation can accept no responsibility for possible errors in catalogues, brochures and other printed material. Flomatic Corporation reserves the right to alter its products without notices. This also applies to product already agreed. All trademarks in this material are property of the respective companies. All rights reserved. ©2022 Flomatic Corporation. The drawings & information on this drawing sheet are the sole & exclusive property of Flomatic Corporation. Any reproduction, distribution, display or use of these drawings or information in whole or in part without written authorization of Flomatic Corporation is strictly prohibited. [www.flomatic.com](http://www.flomatic.com)