

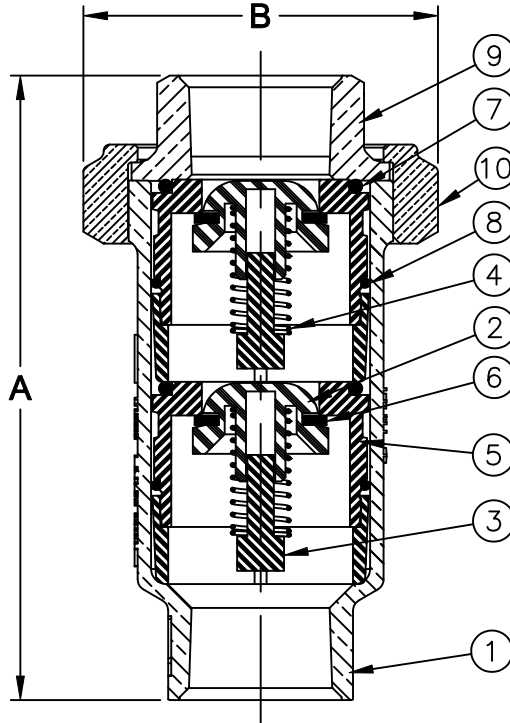
Backflow Preventer

Sizes 1/2" & 1" / 15 mm & 25 mm

Model GF8080E



Materials



Item #	Qty	Description	Material	ASTM	Item #	Qty	Description	Material	ASTM
1	1	Body	Brass	C28500	6	2	CV Disc	Silicone	-----
2	2	Poppet	PDM	-----	7	2	O'Ring	Nitrile	-----
3	2	CV Spring Retainer	PDM	-----	8	2	O'Ring	Nitrile	-----
4	2	CV Spring	Stainless Steel	302	9	1	Tail Piece	Brass	C28500
5	2	CV Housing	PDM	-----	10	1	Nut	Brass	C28500

Dimensions

Max Temp 180°F (82°C)
Max Pressure 150psi (10bar)

Size		Part #	A		B		Weight	
Inch	mm		Inch	mm	Inch	mm	lbs	kg
1/2	15	GF8089E	4-1/16	103	2-3/32	53	2	.90
3/4	20	GF8080E	4-1/16	103	2-3/32	53	2	.90
1	25	GF8081E	4-1/16	103	2-3/32	53	2	.90

Fromatic Corporation can accept no responsibility for possible errors in catalogues, brochures and other printed material. Fromatic Corporation reserves the right to alter its products without notices. This also applies to product already agreed. All trademarks in this material are property of the respective companies. All right reserved. ©2011 Fromatic Corporation. The drawings & information on this drawing sheet are the sole & exclusive property of Fromatic Corporation. Any reproduction, distribution, display or use of these drawings or information in whole or in part without written authorization of Fromatic Corporation is strictly prohibited.



March 21, 2013
Dwg No: GF8080E Rev: 0

FLOMATIC CORPORATION
GLENS FALLS, N.Y. 12801
PHONE (518) 761-9797
FAX (518) 761-9798