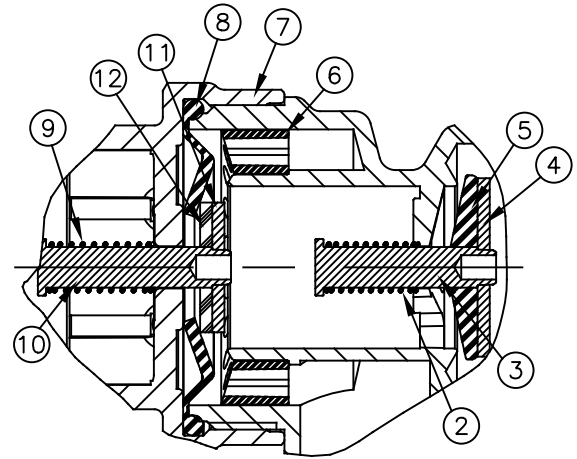
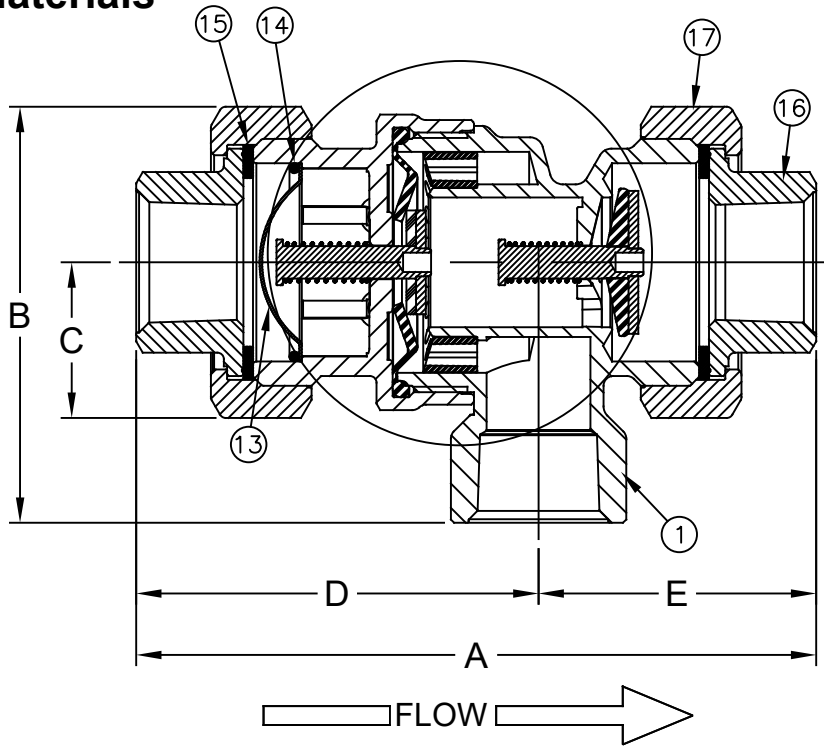


Materials



Max Temp 210°F (98°C)

Max Pressure 175psi (12bar)

Item #	Qty	Description	Material	ASTM	Item #	Qty	Description	Material	ASTM
1	1	Body	Forged Brass	B 124	10	1	Shank	Forged Brass	B 124
2	1	Spring	Stainless Steel	300 Series	11	1	Washer	Forged Brass	B 124
3	1	Shank	Forged Brass	B 124	12	1	Washer	EPDM	-----
4	2	Washer	Forged Brass	B 124	13	2	Filter	Stainless Steel	300 Series
5	2	Washer	EPDM	-----	14	2	O'Ring	Buna-n	-----
6	1	Separator	XXXXX	-----	15	1	Washer	Ethylene	-----
7	1	Fittings	Forged Brass	B 124	16	1	Tail Piece	Forged Brass	B 124
8	2	Membrane	EPDM	-----	17	2	Nut	Forged Brass	B 124
9	2	Spring	Stainless Steel	300 Series					

Dimensions (FNPT x FNPT)

ANSI B1.20.1

Size		Part #	A		B		C		D		E		Weight	
inch	mm		inch	mm	inch	mm	inch	mm	inch	mm	inch	mm	lbs	kg
3/4	20	B8280	4	102	2.5	64	0.9	23	2.4	61	1.6	41	1.3	0.6

Flomatic Corporation can accept no responsibility for possible errors in catalogues, brochures and other printed material. Flomatic Corporation reserves the right to alter its products without notices. This also applies to product already agreed. All trademarks in this material are property of the respective companies. All rights reserved. ©2024 Flomatic Corporation. The drawings & information on this drawing sheet are the sole & exclusive property of Flomatic Corporation. Any reproduction, distribution, display or use of these drawings or information in whole or in part without written authorization of Flomatic Corporation is strictly prohibited. www.flomatic.com