

AWWA C509 (OS&Y) Gate Valve Specification Submittal Sheet

Model 109OS&Y
 Sizes: 2½" - 10"
 ANSI 125# Flange



FEATURES:

Sizes: □2 ½" □3" □4" □6" □8" □10"

Max. working water pressure 175 PSI (1207 kPa)
 Max. working water temperature 140°F (60°C)
 Hydrostatic test pressure 400 PSI (2758 kPa)
 End connection ANSI/ASME B16.1
 Opens Left turn

STANDARDS COMPLIANCE:

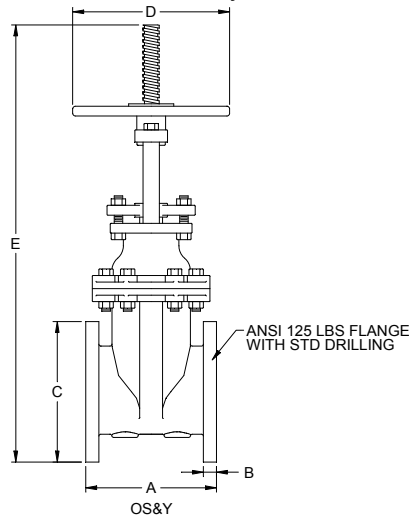
- AWWA Compliant C-509
- UL® Classified 262
- ULC® Classified
- FM® Approved 1120/1130

MATERIALS:

Valve Body & Handwheel Cast Iron ASTM A126 Class B
 Covers Cast Iron ASTM A126 Class B
 Internals Cast Iron ASTM A126 Class B & NBR
 Coating AWWA compliant C-550 & FDA Compliant (Inside & Out)
 Wedge Cast Iron ASTM A126 Class B with SBR coating (Styrene Butadine Rubber ASTM D-5000)
 Elastomers Buna Nitrile FDA approved
 Fasteners Zinc plated steel ASTM A307 Grade B & Bronze ASTM B584 CDA 844
 Stem Bronze ASTM B584 CDA 867

APPLICATION:

Designed for installation on potable water lines, irrigation systems, waterworks connections and fire systems.



Size		Part #	A		B		C		D		E		Weight	
Inch	mm		Inch	mm	Inch	mm	Inch	mm	Inch	mm	Inch	mm	lbs	kg
2-1/2	65	8461OSY	7-1/2	191	11/16	18	7	178	7-1/4	184	19-7/8	505	55	23.25
3	80	8462OSY	8	203	¾	19	7-1/2	191	10	254	22-5/8	575	74	33.75
4	100	8463OSY	9	229	15/16	24	9	229	10	254	27-1/4	692	103	46.75
6	150	8464OSY	10-1/2	267	1	25	11	279	12	305	35-5/8	905	158	71.75
8	200	8465OSY	11-1/2	292	1-1/8	29	13-1/2	343	14	356	44-1/2	1130	240	109
10	250	8466OSY	13	330	1-3/16	30	16	406	18	457	53-3/4	1365	392	178

WARRANTY: Flomatic valves are guaranteed against defects of materials or workmanship when used for the services recommended. If in any recommended service, a defect develops due to material or workmanship, and the device is returned, freight prepaid, to Flomatic Corporation within 12 months from the date of purchase, it will be repaired or replaced free of charge. Flomatic Corporations' liability shall be limited to our agreement to repair or replace the valve only.