

Air Release Valve

Sizes 1" thru 4" / 25mm thru 100mm

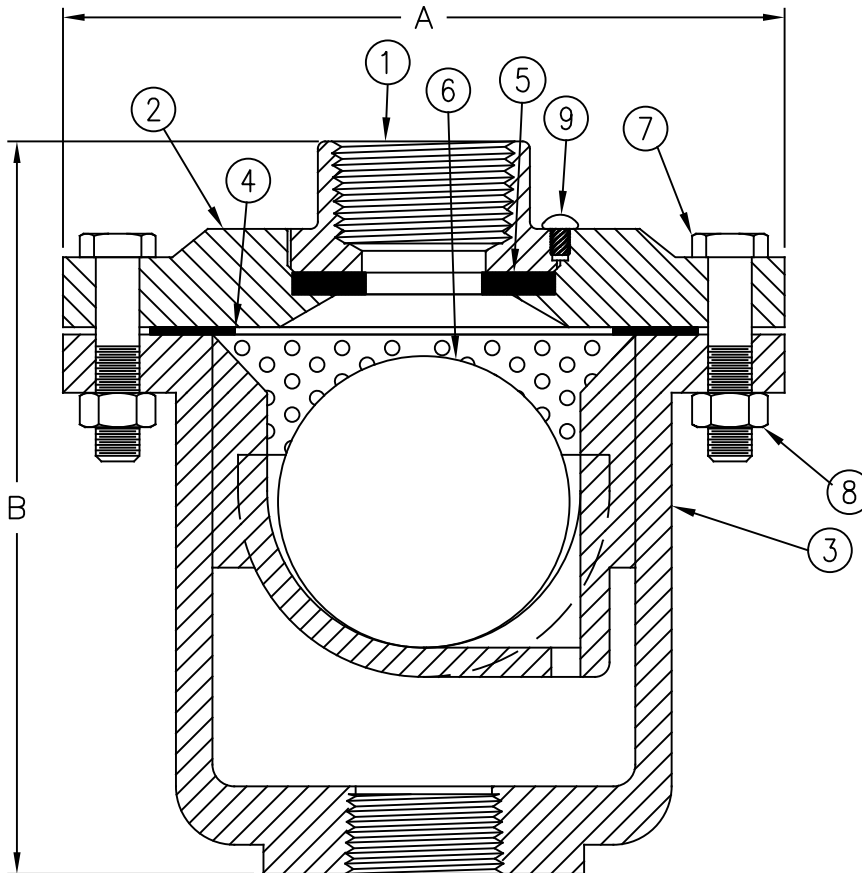
Maxiair®

FLOMATIC®

Flomatic Corporation



Materials



*Standard operating pressure is:
minimum 20 psig & maximum 150 psig.
Consult factory for pressure outside this range.

Item #	Description	Material	ASTM	Item #	Description	Material	ASTM
1	*Top	Cast Iron	A126	6	Float	Stainless Steel	A240
2	*Flange	Cast Iron	A126	7	Bolt	Steel	J429
3	*Body	Cast Iron	A126	8	Nut	Steel	A563
4	Gasket	Armstrong	N-8090	9	Interference Pin	Stainless Steel	18/8
5	Seat	Buna-n	-----	*Optional Material Ductile Iron			

Dimensions

Max. Temp 150°F (65C)
Max. Inlet Pressure 150 psi (10 bar)

Size		Part #	ØA		B		INLET SIZE		OUTLET SIZE		Weight	
inch	mm		inch	mm	inch	mm	inch	mm	inch	mm	lbs	kg
1	25	6521	6-1/4	159	6-1/4	159	1	25	1	25	16	7
2	50	6522	8-3/4	222	9-3/4	248	2	50	2	50	44	20
3	75	6523	11-1/2	292	11-3/4	298	3	75	3	75	92	42
4	100	6524	14	356	14-1/2	368	4	100	4	100	154	70

Meets AWWA C512

Flomatic Corporation can accept no responsibility for possible errors in catalogues, brochures and other printed material. Flomatic Corporation reserves the right to alter its products without notices. This also applies to product already agreed. All trademarks in this material are property of the respective companies. All right reserved. ©2018 Flomatic Corporation. The drawings & information on this drawing sheet are the sole & exclusive property of Flomatic Corporation. Any reproduction, distribution, display or use of these drawings or information in whole or in part without written authorization of Flomatic Corporation is strictly prohibited. www.flomatic.com

FLOMATIC® VALVES

December 30, 1997
Dwg No: S6521-3 Rev E (8/18)

FLOMATIC CORPORATION
GLENS FALLS, N.Y. 12801
PHONE (518) 761-9797
FAX (518) 761-9798