

Air Release Valve

Size 1" / 25mm

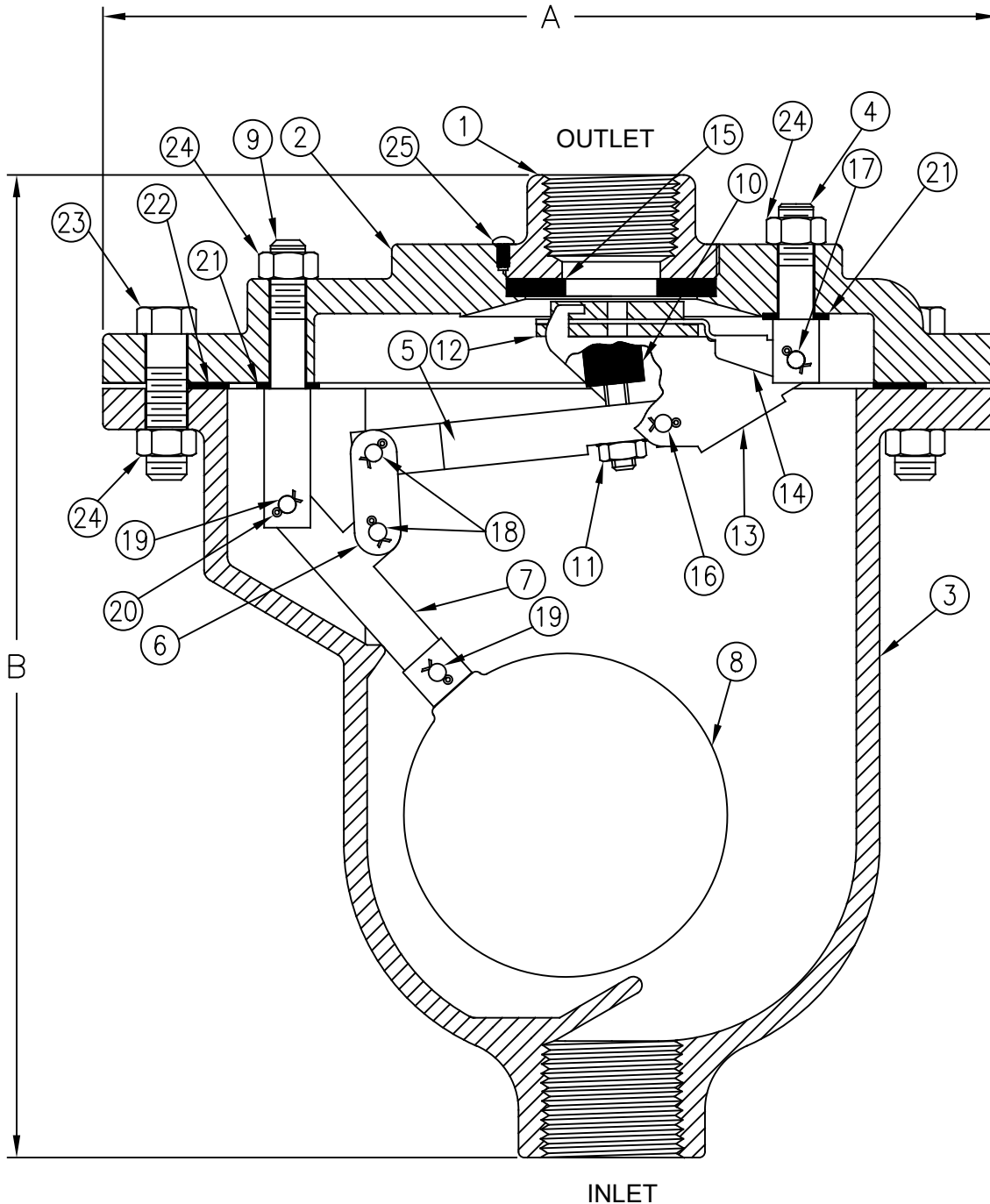
Comboair® **FLOMATIC**®

Flomatic Corporation

Materials



Meets the Requirements of
NACE MR0175 & 022



Flomatic Corporation can accept no responsibility for possible errors in catalogues, brochures and other printed material. Flomatic Corporation reserves the right to alter its products without notices. This also applies to product already agreed. All trademarks in this material are property of the respective companies. All rights reserved. ©2024 Flomatic Corporation. The drawings & information on this drawing sheet are the sole & exclusive property of Flomatic Corporation. Any reproduction, distribution, display or use of these drawings or information in whole or in part without written authorization of Flomatic Corporation is strictly prohibited. www.flomatic.com

Air Release Valve

Size 1" / 25mm



Materials

Optional Orifice Ø	Max. Working Pressure
* 3/16"	150 PSIG
3/32"	300 PSIG

*Standard operating pressure is: minimum 20 psig & maximum 150 psig. Consult factory for pressure outside this range.

Item #	Description	Material	ASTM	Item #	Description	Material	ASTM
1	*Top	Cast Iron	A126	14	Seat Cage	Stainless Steel	A240
2	*Flange	Cast Iron	A126	15	A&V Seat	Buna-n	-----
3	*Body	Cast Iron	A126	16	Bearing Pin	Stainless Steel	A582
4	A&V Fulcrum	Stainless Steel	A240	17	Bearing Pin	Stainless Steel	A582
5	Valve Lever	Stainless Steel	A240	18	Bearing Pin	Stainless Steel	A582
6	Link	Stainless Steel	A240	19	Bearing Pin	Stainless Steel	A582
7	Ball Lever	Stainless Steel	A240	20	Cotter Pin	Stainless Steel	A313
8	Float	Stainless Steel	A240	21	Fulcrum Washer	Fibre	-----
9	Ball Fulcrum	Stainless Steel	A582	22	Gasket	Armstrong	N-8090
10	Valve Plunger	Buna-n	A276	23	Bolt	Steel	J429
11	Plunger Nut	Stainless Steel	A276	24	Nut	Steel	A563
12	Pressure Seat	Stainless Steel	A276	25	Interference Pin	Stainless Steel	18/8
13	Pressure Fulcrum	Stainless Steel	A240	*Optional Material Ductile Iron			

Dimensions (FNPT)

Max. Temp 150°F (65°C)

ANSI B1.20.1

Size		Part #	A		B		INLET SIZE		OUTLET SIZE		Weight	
inch	mm		inch	mm	inch	mm	inch	mm	inch	mm	lbs	kg
1	25	6540	9.75	248	10.75	273	1	25	1	25	27	13

Meets AWWA C512

Flomatic Corporation can accept no responsibility for possible errors in catalogues, brochures and other printed material. Flomatic Corporation reserves the right to alter its products without notices. This also applies to product already agreed. All trademarks in this material are property of the respective companies. All rights reserved. ©2024 Flomatic Corporation. The drawings & information on this drawing sheet are the sole & exclusive property of Flomatic Corporation. Any reproduction, distribution, display or use of these drawings or information in whole or in part without written authorization of Flomatic Corporation is strictly prohibited. www.flomatic.com