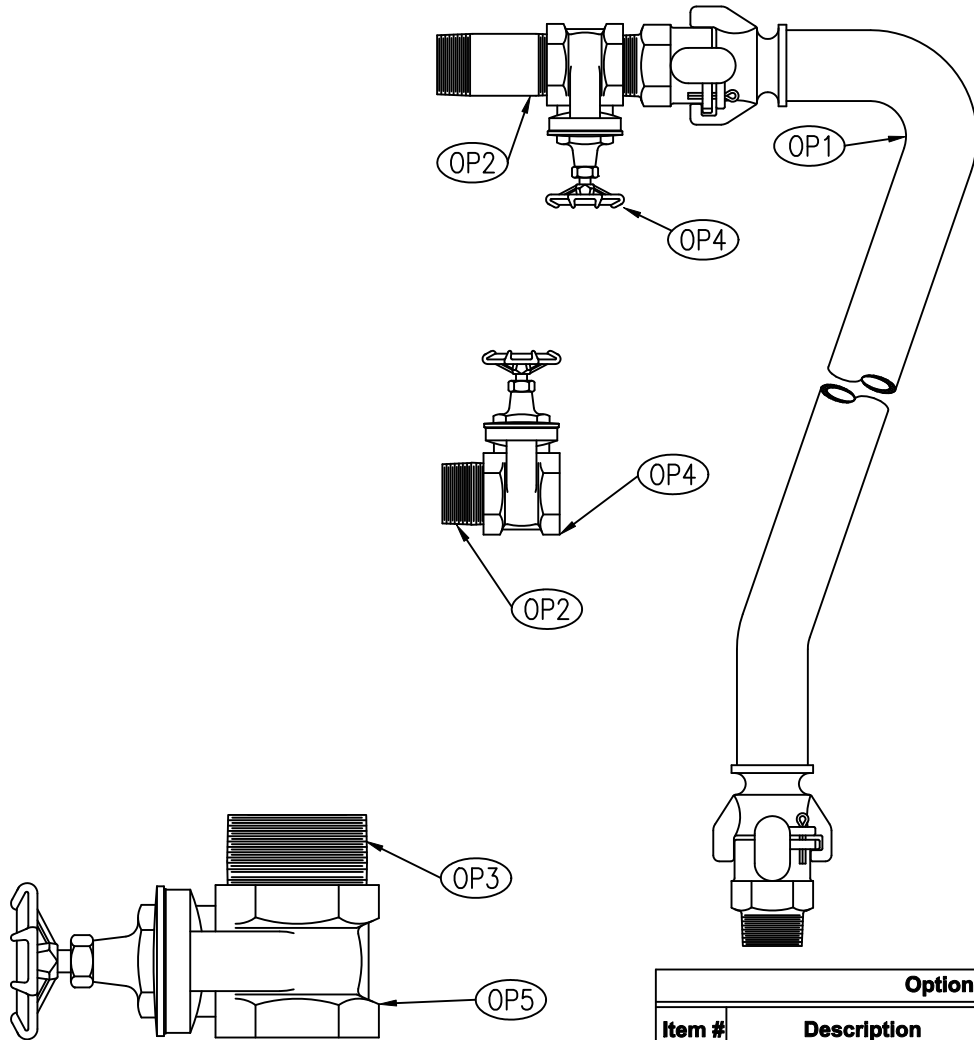


# Air Release Valve

Sizes 2" thru 6" / 50mm thru 150mm

## Materials



**Optional Backflush**

Item #	Description	Material	ASTM
OP1	Backflush Assembly	Reinforced Nylon w/ Plated Steel	----
OP2	Blow-Off Nipple	Steel	A53
OP3	Inlet Nipple*	Steel	A53
OP4	Blow Off Shut-Off Valve	Brass	N/A
OP5	Inlet Shut-Off Valve	Brass	N/A

\*6" No nipple - a gasket is used.

## Dimensions

Valve Size		Part #	NPT	Weight	
Inch	mm			lbs	kg
2	50	BF2	1"	12	6
3	75	BF3	1"	17	9
4	100	BF4	1"	29	6
6*	150*	BF6*	1"	140	64

\*6" Inlet Shut-Off Valve is 125# flanged.

When ordering backflush kit, size must match the air release valve inlet size.

Flomatic Corporation can accept no responsibility for possible errors in catalogues, brochures and other printed material. Flomatic Corporation reserves the right to alter its products without notices. This also applies to product already agreed. All trademarks in this material are property of the respective companies. All right reserved. ©2015 Flomatic Corporation. The drawings & information on this drawing sheet are the sole & exclusive property of Flomatic Corporation. Any reproduction, distribution, display or use of these drawings or information in whole or in part without written authorization of Flomatic Corporation is strictly prohibited.