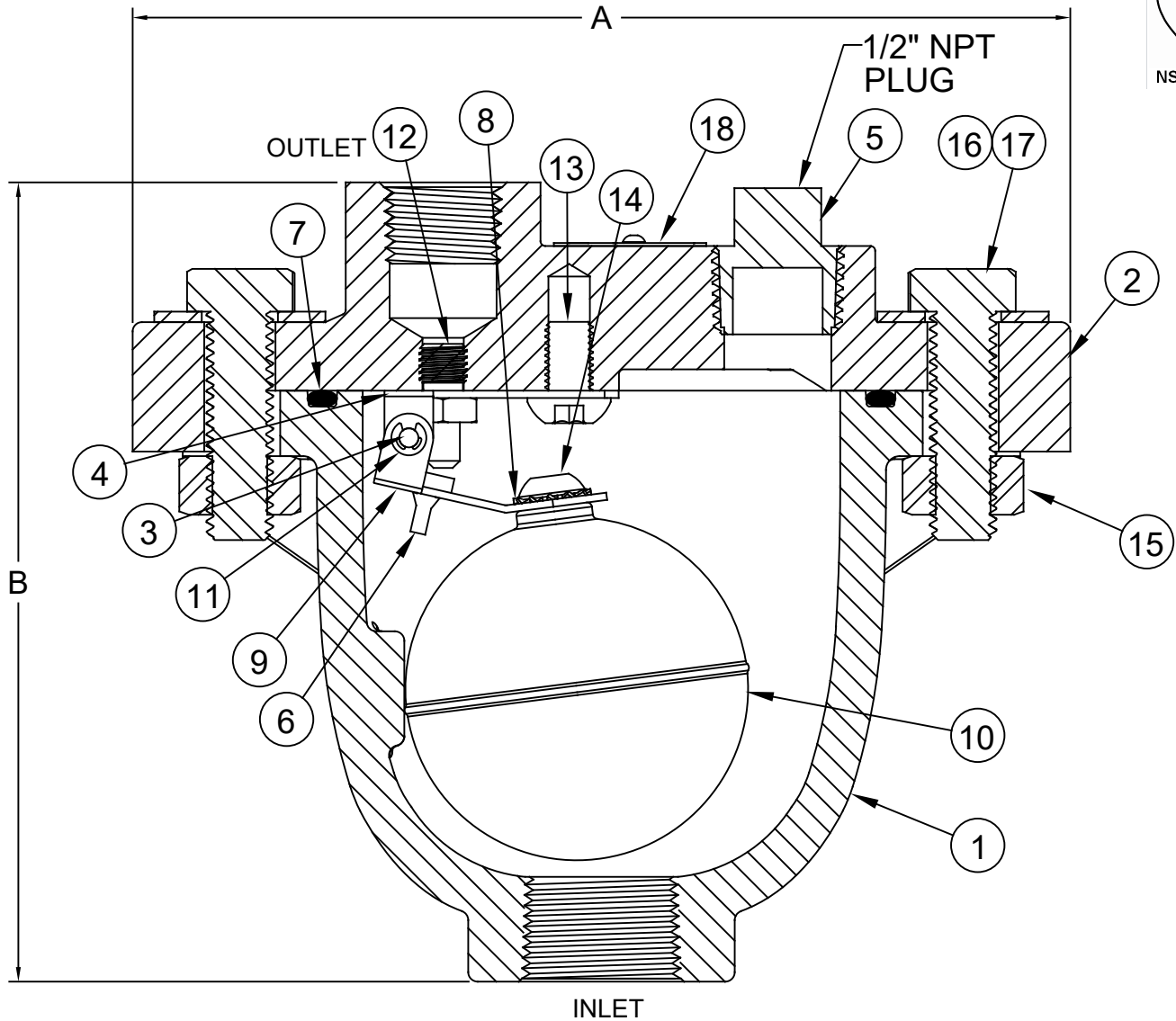


# Air Release Valve

Sizes 3/8" thru 1" / 10mm thru 25mm  
 AIS COMPLIANT-MADE IN THE USA

## Materials



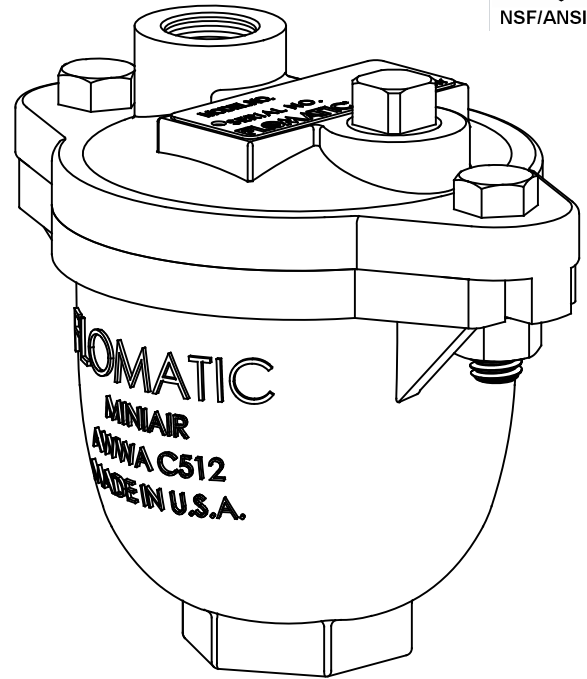
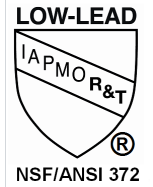
Item #	Qty	Description	Material	ASTM	Item #	Qty	Description	Material	ASTM
1	1	Body	Ductile Iron	65-45-12	10	1	Float	Stainless Steel	316
2	1	Cover	Ductile Iron	65-45-12	11	2	Retaining Ring	Stainless Steel	304
3	1	Hinge Pin	Stainless Steel	316	12	1	Orifice	Stainless Steel	316
4	1	Lever Frame	Stainless Steel	316	13	1	Screw	Stainless Steel	316
5	1	Pipe Plug	Stainless Steel	316	14	1	Screw	Stainless Steel	316
6	1	Orifice button	Viton	-----	15	2	Nut	Stainless Steel	18-8
7	1	O-Ring	Buna-N	-----	16	2	Bolt	Stainless Steel	18-8
8	1	Tooth Lock Washer	Viton	-----	17	2	Washer	Stainless Steel	18-8
9	1	Float Arm	Stainless Steel	304	18	1	Tag	Brass	-----

Flomatic Corporation can accept no responsibility for possible errors in catalogues, brochures and other printed material. Flomatic Corporation reserves the right to alter its products without notices. This also applies to product already agreed. All trademarks in this material are property of the respective companies. All rights reserved. ©2024 Flomatic Corporation. The drawings & information on this drawing sheet are the sole & exclusive property of Flomatic Corporation. Any reproduction, distribution, display or use of these drawings or information in whole or in part without written authorization of Flomatic Corporation is strictly prohibited. [www.flomatic.com](http://www.flomatic.com)

# Air Release Valve

Sizes 3/8" thru 1" / 10mm thru 25mm  
AIS COMPLIANT-MADE IN THE USA

## Materials



Optional Orifice Ø	Max. Working Pressure
5/32"	40 PSIG
1/8"	50 PSIG
3/32"	85 PSIG
* 1/16"	150 PSIG
3/64"	200 PSIG
1/32"	300 PSIG

\*Standard operating pressure is:  
minimum 20 psig & maximum 150 psig.  
Consult factory for pressure outside this range.

## Dimensions (FNPT)

ANSI B1.20.1

Max. Temp 150°F (65°C)  
Min. Inlet Pressure 20 psi (1.4 bar)  
Max. Inlet Pressure 150 psi (10 bar)

Size		Part #	A		B		INLET SIZE		OUTLET SIZE		Weight	
inch	mm		inch	mm	inch	mm	inch	mm	inch	mm	lbs	kg
3/8	10	3500	4.16	106	5.25	133	3/8	10	1/2	15	7	3
1/2	15	3501	4.16	106	5.25	133	1/2	15	1/2	15	7	3
3/4	20	3502	4.16	106	5.25	133	3/4	20	1/2	15	7	3
1	25	3503	4.16	106	5.25	133	1	25	1/2	15	7	3

Flomatic Corporation can accept no responsibility for possible errors in catalogues, brochures and other printed material. Flomatic Corporation reserves the right to alter its products without notices. This also applies to product already agreed. All trademarks in this material are property of the respective companies. All rights reserved. ©2024 Flomatic Corporation. The drawings & information on this drawing sheet are the sole & exclusive property of Flomatic Corporation. Any reproduction, distribution, display or use of these drawings or information in whole or in part without written authorization of Flomatic Corporation is strictly prohibited. [www.flomatic.com](http://www.flomatic.com)