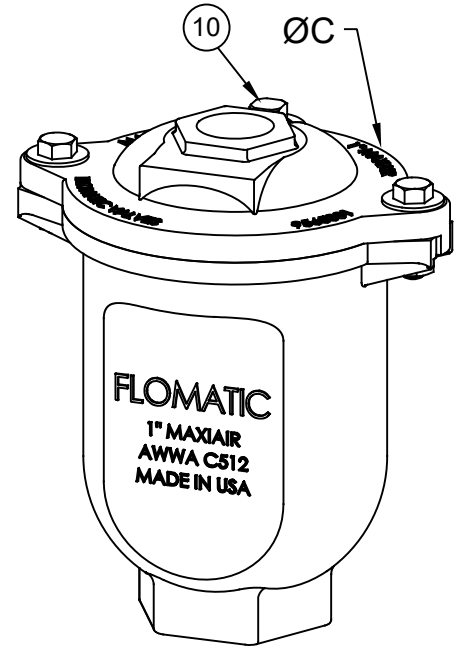
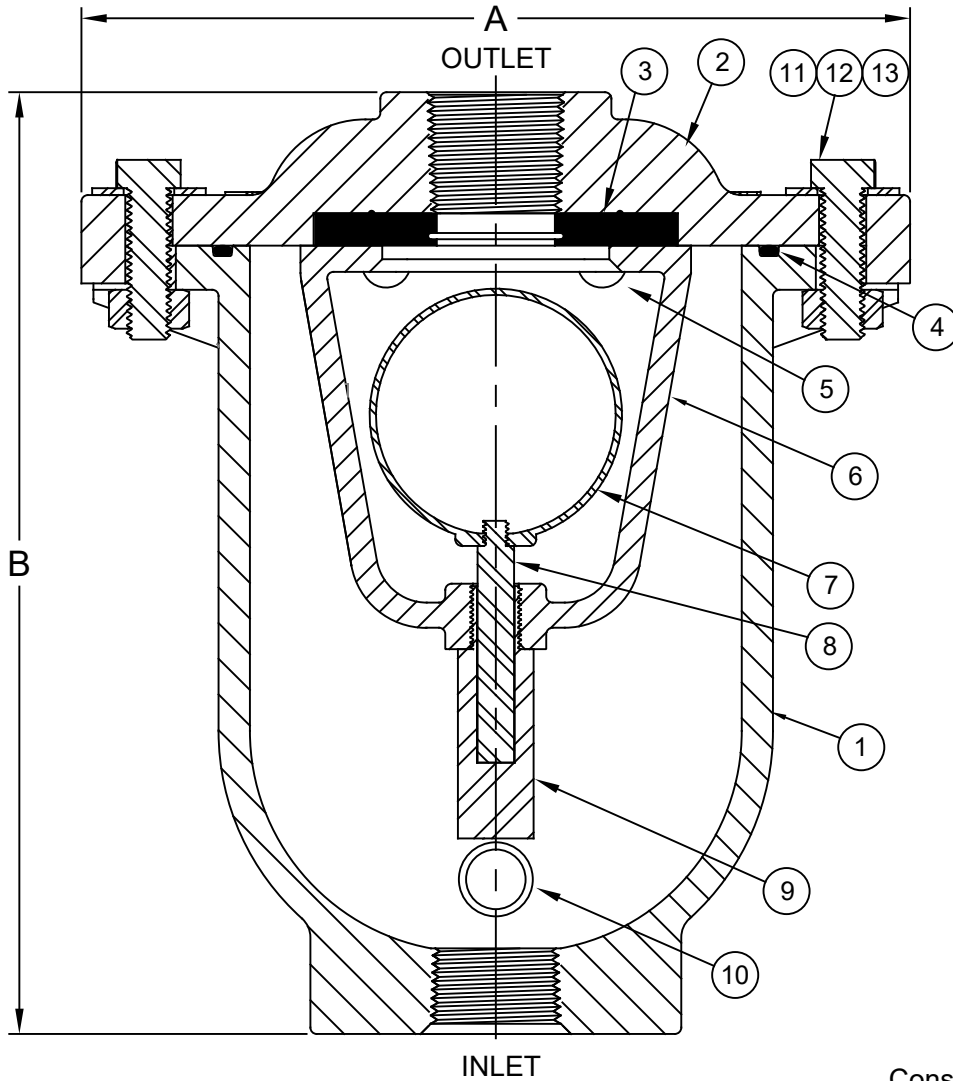


Air Release Valve

Sizes 1" / 25 mm

ANSI COMPLIANT-MADE IN THE USA

Materials



Standard operating pressure is:
minimum 20 psig & maximum 150 psig.
Consult factory for pressure outside this range.

| Item # | Qty | Description | Material | ASTM | Item # | Qty | Description | Material | ASTM |
|--------|-----|-----------------------|-----------------|----------|--------|-----|--------------------|-----------------|------|
| 1 | 1 | Body | Ductile Iron | 65-45-12 | 8 | 1 | Stem | Stainless Steel | 316 |
| 2 | 1 | Cover | Ductile Iron | 65-45-12 | 9 | 1 | Bushing | Stainless Steel | 316 |
| 3 | 1 | Seat | Buna | ----- | 10 | 2 | Pipe Plug 1/2" NPT | Stainless Steel | 316 |
| 4 | 1 | Cover O-Ring | Viton | ----- | 11 | 1 | Cover Bolt | Stainless Steel | 316 |
| 5 | 4 | Button Head Cap Screw | Stainless Steel | 316 | 12 | 6 | Cover Washer | Stainless Steel | 316 |
| 6 | 1 | Guide | Ductile Iron | 65-45-12 | 13 | 1 | Cover Nut | Stainless Steel | 316 |
| 7 | 1 | Float | Stainless Steel | 316 | | | | | |

Dimensions (FNPT)

Max. Temp 150°F (65C)
Max. Inlet Pressure 150 psi (10 bar)

ANSI B1.20.1

| Size | | Part # | A | | B | | ØC | | INLET SIZE | | OUTLET SIZE | | Weight | |
|------|----|--------|------|-----|------|-----|------|-----|------------|----|-------------|----|--------|----|
| inch | mm | | inch | mm | inch | mm | inch | mm | inch | mm | inch | mm | lbs | kg |
| 1 | 25 | 3521 | 8.22 | 209 | 9.33 | 237 | 6.25 | 159 | 1 | 25 | 1 | 25 | 20 | 9 |

Flomatic Corporation can accept no responsibility for possible errors in catalogues, brochures and other printed material. Flomatic Corporation reserves the right to alter its products without notices. This also applies to product already agreed. All trademarks in this material are property of the respective companies. All rights reserved. ©2024 Flomatic Corporation. The drawings & information on this drawing sheet are the sole & exclusive property of Flomatic Corporation. Any reproduction, distribution, display or use of these drawings or information in whole or in part without written authorization of Flomatic Corporation is strictly prohibited. www.flomatic.com