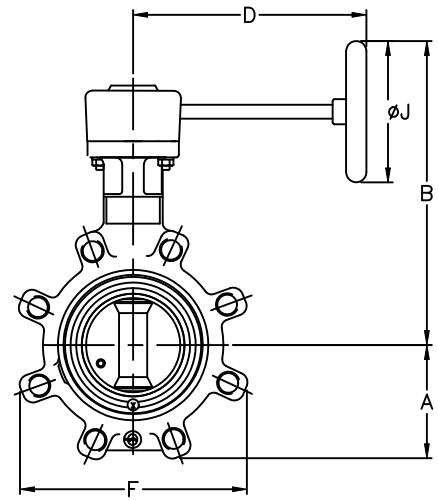
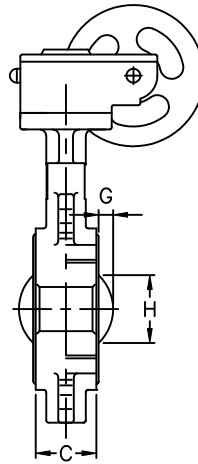
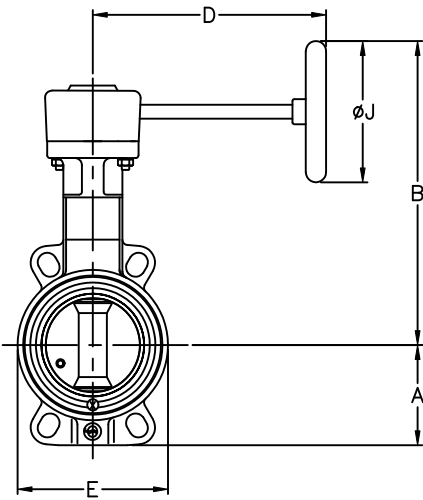
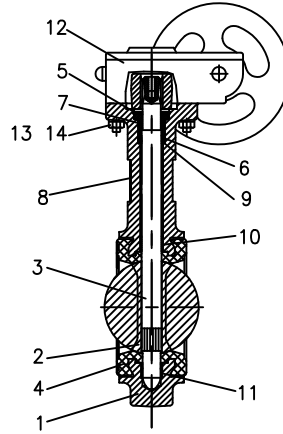


Materials (with Gear Box)



| Item # | Qty | Description | Material | Item # | Qty | Description | Material |
|--------|-----|-------------|-----------------------------|--------|-----|------------------------------|--------------------------|
| 1 | 1 | Body | Cast Iron | 8 | 1 | Metal Tag | Aluminium |
| 2 | 1 | Disc | Ductile Iron or 316 SS | 9 | 1 | Safty Bushing | SS 304L |
| 3 | 1 | Shaft | AISI 420 | 10 | 1/2 | Bearings/Upper Guide Bushing | Zinc Coated Steel + PTFE |
| 4 | 1 | Liner | EPDM | 11 | 1/2 | Bearings/Lower Guide Bushing | Zinc Coated Steel + PTFE |
| 5 | 1 | Circlip | Steel XC 75/Stainless Steel | 12 | 1 | Gear Box | Cast Iron |
| 6 | 1 | O'Ring | Nitrile/Nylon | 13 | 4 | Screw | Zinc Coated Steel |
| 7 | 1 | Bushing | IXEF/Brass | 14 | 4 | Stop Washer | Zinc Coated Steel |

Max Temp 230°F (110°C)
Max Pressure: 200 psi (14bar)

Flomatic Corporation can accept no responsibility for possible errors in catalogues, brochures and other printed material. Flomatic Corporation reserves the right to alter its products without notices. This also applies to product already agreed. All trademarks in this material are property of the respective companies. All right reserved. ©2011 Flomatic Corporation. The drawings & information on this drawing sheet are the sole & exclusive property of Flomatic Corporation. Any reproduction, distribution, display or use of these drawings or information in whole or in part without written authorization of Flomatic Corporation is strictly prohibited.

Butterfly Valves

Sylax®2

Model 149G **FLOMATIC®**

Sizes 2" Thru 6"/ 50 mm Thru 150 mm

Flomatic Corporation

Dimensions



| Size | | A | | B | | C | | D | | E | | F | | G | | H | | J | | Wgt Wafer | | Wgt Lug | |
|-------|-----|------|-----|-------|-----|------|----|------|-----|------|-----|-------|-----|------|----|------|-----|------|-----|-----------|------|---------|-----|
| Inch | mm | Inch | mm | Inch | mm | Inch | mm | Inch | mm | Inch | mm | Inch | mm | Inch | mm | Inch | mm | Inch | mm | lbs | kg | lbs | kg |
| 2 | 50 | 2.44 | 62 | 8.90 | 226 | 1.69 | 43 | 6.73 | 171 | 4.76 | 121 | 5 | 127 | .24 | 6 | 1.30 | 33 | 4.92 | 125 | 12 | 5.5 | 13 | 6 |
| 2-1/2 | 65 | 3.31 | 84 | 9.25 | 235 | 1.81 | 46 | 6.73 | 171 | 5.35 | 136 | 5.51 | 140 | .51 | 13 | 2.17 | 55 | 4.92 | 125 | 13 | 6 | 14 | 6.5 |
| 3 | 80 | 3.50 | 89 | 9.49 | 241 | 1.81 | 46 | 6.73 | 171 | 5.00 | 127 | 7.71 | 196 | .79 | 20 | 2.96 | 73 | 4.92 | 125 | 13.5 | 6 | 16 | 7 |
| 4 | 100 | 4.17 | 106 | 10.43 | 265 | 2.05 | 52 | 6.73 | 171 | 5.87 | 149 | 8.19 | 208 | .98 | 25 | 3.43 | 87 | 4.92 | 125 | 18 | 8 | 21 | 9.5 |
| 5 | 125 | 4.72 | 120 | 11.02 | 280 | 2.20 | 56 | 6.73 | 171 | 7.17 | 182 | 9.53 | 242 | 1.38 | 35 | 4.45 | 113 | 4.92 | 125 | 20.5 | 9 | 26 | 12 |
| 6 | 150 | 5.16 | 131 | 11.54 | 293 | 2.20 | 56 | 6.73 | 171 | 8.23 | 209 | 10.63 | 270 | 1.89 | 48 | 5.55 | 141 | 4.92 | 125 | 23 | 10.5 | 28.5 | 13 |

Flomatic Corporation can accept no responsibility for possible errors in catalogues, brochures and other printed material. Flomatic Corporation reserves the right to alter its products without notices. This also applies to product already agreed. All trademarks in this material are property of the respective companies. All right reserved. ©2011 Flomatic Corporation. The drawings & information on this drawing sheet are the sole & exclusive property of Flomatic Corporation. Any reproduction, distribution, display or use of these drawings or information in whole or in part without written authorization of Flomatic Corporation is strictly prohibited.